



INSTALLATION MANUAL

Expansion Battery Module

Please read this manual carefully before operating your set and retain it for future reference.

This guide explains installing the expansion battery module to the ESS battery unit. Please check which models this expansion battery module can be installed.

Model

BPEL04KAB-E



Rev. 01 14/07/2023

<https://www.lg.com/global/business/ess/business-resources/download>
Copyright © 2023 LG Electronics Inc. All Rights Reserved.

Safety Information

IMPORTANT : THIS PRODUCT SHOULD NOT BE USED FOR ANY PURPOSE OTHER THAN THE PURPOSE DESCRIBED IN THIS INSTALLATION MANUAL.



WARNING

Indicators for a potentially dangerous situation.

- There is a high possibility of electric shock or serious burns due to the high voltages in the ESS.
- High voltages on DC cables. Do not short circuit positive and negative conductors.
- A potentially hazardous circumstance such as excessive heat or electrolyte mist may occur due to improper operating conditions, damage, misuse and/or abuse.
- This product poses potential danger such as death or serious injury by fire, high voltages, or explosion if appropriate precautions are not read, fully understood, and followed.
- Do not place or install flammable or potentially explosive objects near the product or in explosive atmospheres.
- Do not place objects of any kind on top of the product during operation.
- All work on the battery installations must be carried out by LG-certified service providers only.
- Electrical installations must be done in accordance with the local and national electrical safety standards.
- Wear rubber gloves and protective clothing (including protective glasses and boots) when installing the battery module.
- There is a risk of electric shock. Do not disassemble the battery module. There is no user serviceable parts inside. Refer servicing to qualified and accredited service technician.
- Do not damage the unit in such ways as drop, deform, impact, cut or spearing with a sharp object. It may cause electrolyte leakage or fire.
- Breakdown of the unit may cause electrolyte leakage or flammable gas generation.
- When electrolyte leak out, avoid contact with eyes, skin or clothes. In event of accident, flush with water and get medical help immediately.
- Do not sit or step on the product or the product package. It may cause serious injury or product damage.
- Do not smoke or bring open flames near the product.

**CAUTION**

Indicates a situation where damage or injury may occur.

- This product is intended for battery module expansion. Do not use it for any purpose other than expanding the HBC battery unit.
- Serious injury may occur due to the heavy weight of the product. Therefore, special care must be taken in handling. Make sure to have at least two persons deliver and move the package.
- The product should not be exposed to water (dripping or splashing) and no objects filled with liquids, such as vases, should be placed on the product.
- The product must be disposed of according to local regulations.
- Do not place heavy objects on this product. It may cause deformation or fracture.
- Make sure the DC switch of the ESS battery unit is switched off before connecting.
- Never use any solvents, abrasives or corrosive materials to clean this product.
- Keep out of reach of children or animals.
- There should be no foreign object that could damage the bottom of the product.

**NOTE**

Indicates a risk of possible damage to the product.

- Do not store or place any objects on top of or against the product. It may cause serious malfunction or other problems.
- This expansion battery module is designed and installable for LG ESS battery unit (BUEL011HBC1) only. Do not connect this expansion battery module to a device which makes AC voltage such as an AC power source or a generator. Connecting the product to external devices could result in serious damage to your equipment.
- Handling of batteries should be performed or supervised by an LG service person or a qualified installer.
- The battery does not discharged when the load is under the certain level.
- For the latest ESS documents and full Limited Warranty , visit: <https://www.lg.com/global/business/ess/business-resources/download>

First Aid Measures

The Product includes internal fault mechanisms designed to prevent failures and subsequent risk hazards. However, LG Electronics cannot guarantee safety performance of the Product if it is ever exposed to abuse, damage, or negligence.

If a person is exposed to the internal materials of the battery cell due to damage on the outer casing, the following actions are recommended.

- In case of inhalation: Leave the contaminated area immediately and seek medical attention.
- In case of contact with eyes: Rinse eyes with running water for 15 minutes and seek medical attention.
- In case of contact with skin: Wash the contacted area with soap thoroughly and seek medical attention.
- In case of ingestion: Induce vomiting and seek medical attention.

Fire Fighting Measures

Suitable extinguishing media

Use metal fire extinction powder or dry sand if only few cells are involved.

In case of large fire, use large amount of water to extinguish or an Lithium fire extinguisher to extinguish.

Special hazards arising from the chemical

May form hydrofluoric acid if electrolyte comes into contact with water.

In case of fire, the formation of the following flue gases cannot be excluded: Hydrogen fluoride (HF), Carbon monoxide and carbon dioxide.

Protective equipment and precautions for firefighters

If batteries are on charge, shut off power.

Wear self-contained breathing apparatus and protective suit.

WARNING

The battery cell may catch fire when heated above 130 °C (266 °F). When the battery module is burning, it will leak poisonous gases. Do not approach it.

Effective way to deal with accidents

- On land: Place the damaged battery into a separate place and call your local fire department or service engineer.
- In water: Stay out of the water and do not touch the product if any part of the battery, inverter, or wiring is submerged.
- Do not use the submerged battery again. Contact your service engineer for assistance.

Table of Contents

Getting Started

Safety Information	2
First Aid Measures	4
Product Features.....	6
Unpacking	7
Unpacking the expansion battery module	7
Contents of this product	8
Name of each part.....	9

Installation

Preparation.....	10
Check your battery unit	10
How to check the charging and discharging cycles.....	10
Energy Storage System settings	11
Installing an expansion battery module to the battery unit.....	14

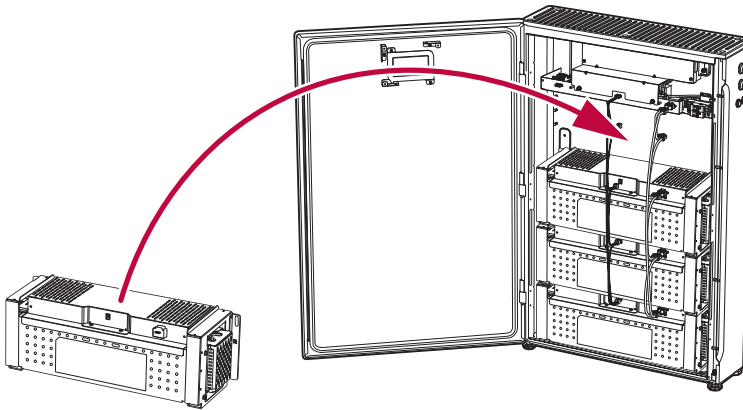
Appendix

Maintenance.....	20
Inspecting Regularly.....	20
Contact.....	20
Disposing the product.....	21
Entsorgung Ihrer Altgeräte	22
Specifications.....	23

Product Features

This product is an expansion Lithium-Ion battery module that can be installed in addition to the existing ESS battery unit. Before installing this expansion battery module to your ESS battery unit, ensure your ESS battery unit can be expanded.

Contact an authorized dealer or the seller you purchased the system from about whether the expansion battery module can be installed.



Product Specifications

All specifications and descriptions contained in this document are verified to be accurate at the time of printing. However, since continuous improvement is a goal at LG Electronics, we reserve the right to make product modifications at any time.

The images provided in this document are for demonstration purposes only. Depending on product version and market region, details may appear slightly different.

©2023 LG Electronics Inc. All rights reserved.

All information in this document is subject to copyright and other intellectual property rights of LG Electronics Inc. and its licensors. This material may not be modified, reproduced or copied, in whole or in part, without the prior written permission of LG Electronics Inc. and its licensors. Additional information is available upon request. The following are trademarks or registered trademarks of LG Electronics Inc. in the Europe and other countries:

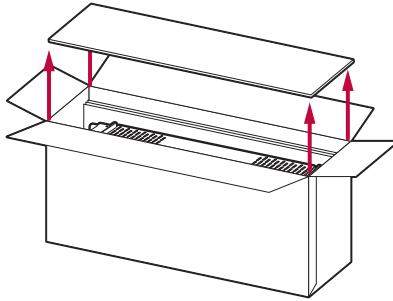


Unpacking

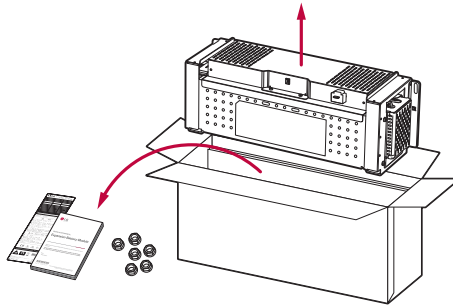
Unpacking the expansion battery module

Unpack the expansion battery module from its packaging.

- 1 Remove the packing tape and open the box.



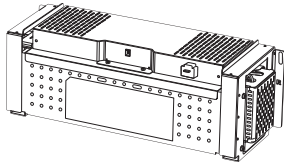
- 2 Take out all the accessories and components.



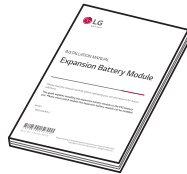
WARNING

- When working on the battery installation, at least 2 people are needed for safe installation and moving.
- This product is heavy. Wear appropriate personal protective equipment (such as gloves and protective footwear) when handling the unit. Only a sufficient number of trained movers should lift the product.

Contents of this product



Expansion battery module



Installation Manual



Nuts (6EA)



Q label

Required Tools



Insulated gloves



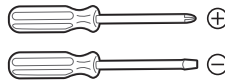
Safety glasses



Protective footwear



200 mm magnet bit holder and
T-Handle torque wrench with
magnet hex socket (M5, M6,
M8)

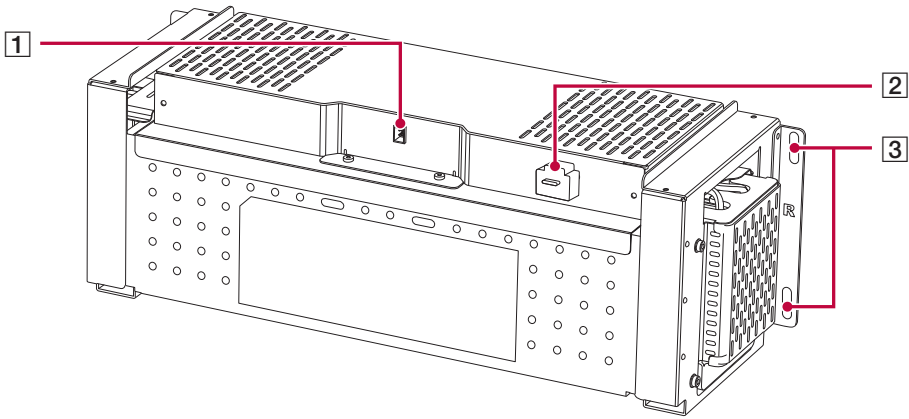


Screw driver
Phillips (5 mm)
Flat head (6, 5, 4, 2 mm)



Voltmeter

Name of each part



- 1 Communication cable connector
- 2 Power cable connector
- 3 Nuts fixing hole

Preparation

Check your battery unit

To secure battery performance and safety, installing an expansion battery module is possible when all the conditions below are met.

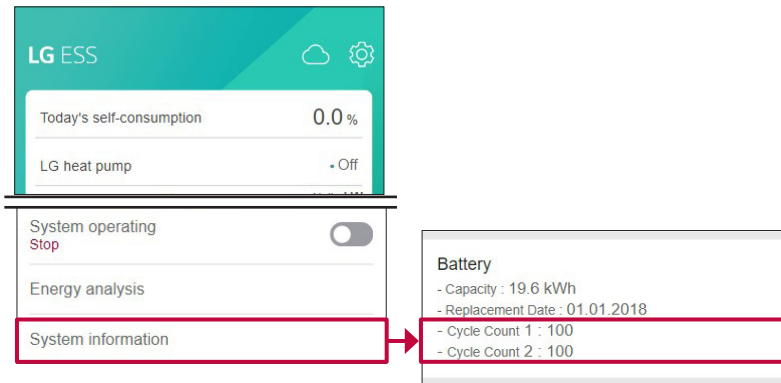
- The current battery unit is within 200 cycles of charging and discharging.
- The installation date of the current battery unit is within 18 months.

NOTE

- It is recommended to adjust the SOC level of the battery in use to about 30% for fast expansion.
- The matching time depends on the voltage difference between the battery in use and the battery to be expanded. If the voltage difference is large, it may take up to 3 hours.

How to check the charging and discharging cycles

To check your battery unit's charging and discharging cycles, your Energy Storage System must be registered to the EnerVu system. Check the number of cycles through the EnerVu+ app on your mobile device as described below.

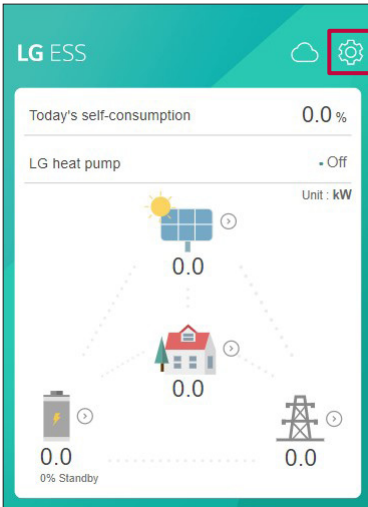


- 1 Launch the EnerVu+ app on your mobile device.
- 2 Tap [System Information] and scroll the display to the battery section. You can check the charging and discharging cycles of the battery unit at [Cycle Count] item.

Energy Storage System settings

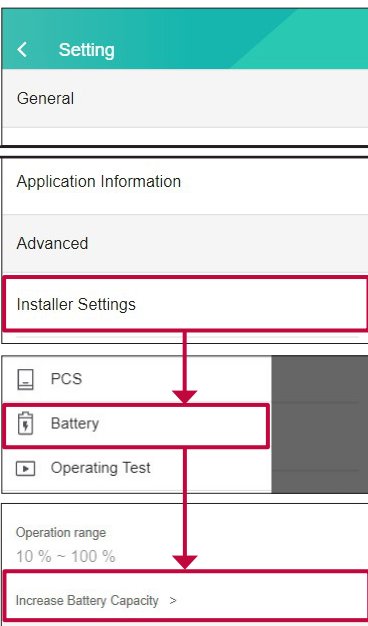
If all the conditions are met to install the expansion battery module, the Energy Storage System must stop operation and prepare some settings for the battery expansion before installation.

1



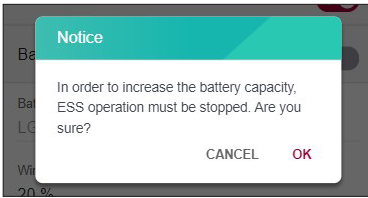
Launch the EnerVu+ app on your mobile device. and tap [⚙️].

2



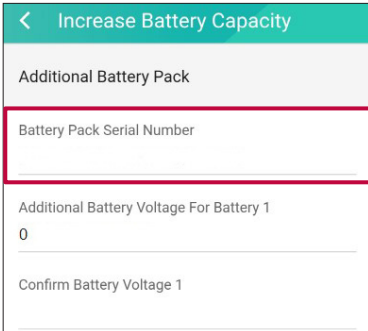
Tap [Installer Settings] > [Battery] > [Increase battery capacity].

3



A pop-up message appears. Tap [OK] to stop ESS operating and proceed to the next step.

4

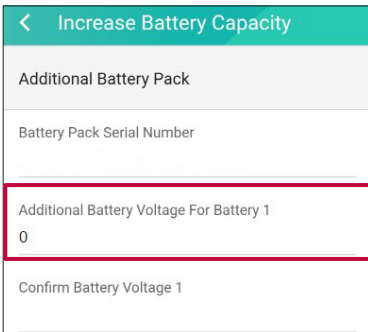


Enter the 21-length characters indicated on the QR label located in the upper right corner of the battery to the [Battery pack serial number] field and tap [SAVE].

NOTE

If there are two battery units on your Energy Storage System, You need to input the serial number of both additional battery modules for battery units 1 and 2.

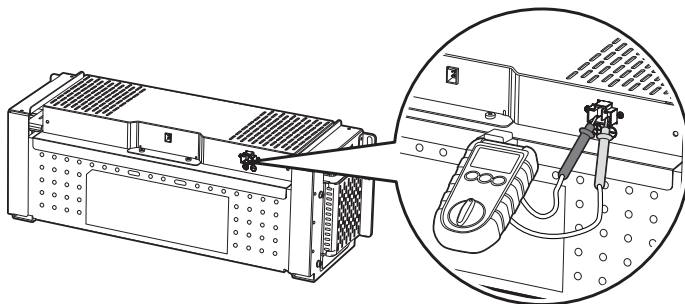
5



Measure the voltage of the additional battery module and fill in the [Additional battery voltage for battery 1 or 2], and tap [SAVE].

NOTE

- If there are two battery units on your Energy Storage System, You need to input the voltage of both additional battery modules for battery units 1 and 2.
- Enter the voltage of the expansion battery module to two decimal places.



6

Additional Battery Pack

Battery Pack Serial Number

Additional Battery Voltage For Battery 1
0

Confirm Battery Voltage 1

Enter the voltage of the additional battery module once again in the [Confirm Battery Voltage 1 or 2] and tap [SAVE].



CAUTION

If the voltage is entered incorrectly, faults and battery damage may occur due to voltage differences between battery cells.

7

Additional Battery Pack

Battery Pack Serial Number
BPEL04KAB-EKET21H0001

Additional Battery Voltage For Battery 1
110

- Error Code : 0

Match

Tap [Match] to start charging or discharging on the system automatically according to the battery capacity to be expanded.



NOTE

An error message appears when the matching process is failed. Try the matching process again when it is failed.

8

Notice

Matching is complete. Turn off the entire ESS power, install a new battery pack, turn on the ESS power again, and drive after Operating Test.

OK

When the matching is completed, install additional battery module(s) in the enclosure you want to expand and reboot the system. Before re-operating the system, run [Operating Test] to check the system conditions.

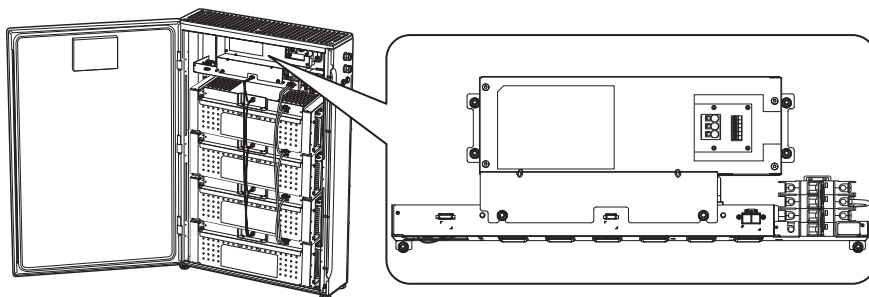
Installing an expansion battery module to the battery unit

This product requires an electrical connection to the ESS battery unit.
Before connecting the expansion battery module to the ESS battery unit, refer to the installation manual of the ESS battery unit for more information.

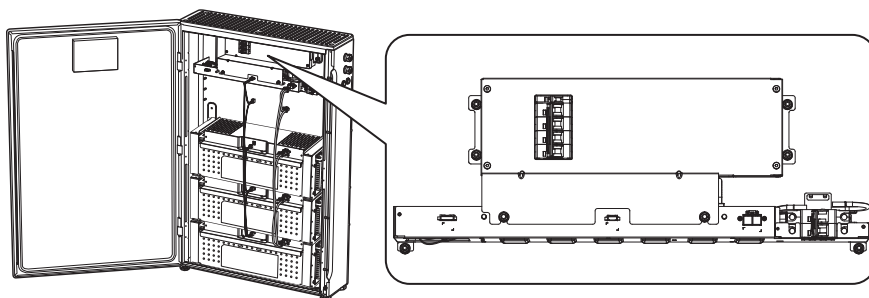
NOTE

There are two types of ESS battery unit for installing this expansion battery unit. Refer to the figures below to check the differences between the type A and type B.

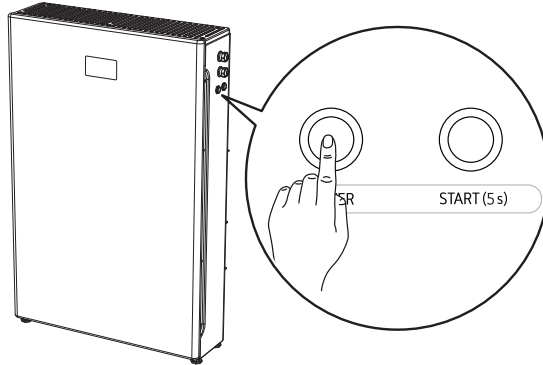
Type A



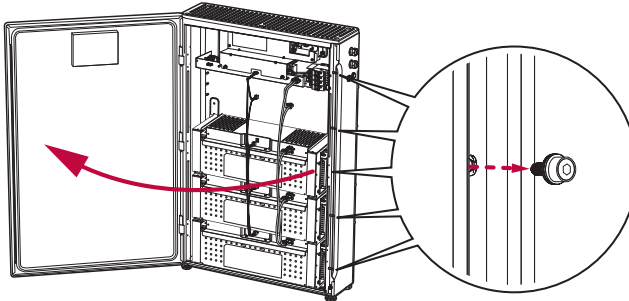
Type B



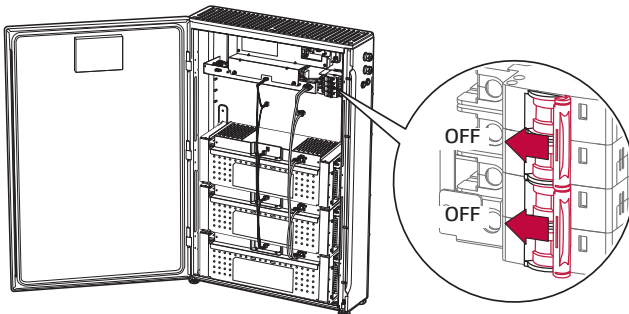
- 1 Press the POWER button to turn the battery unit off.
If the LED display is turned off, the battery unit has been turned off.



- 2 Remove the bolts on the right side and open the front door.

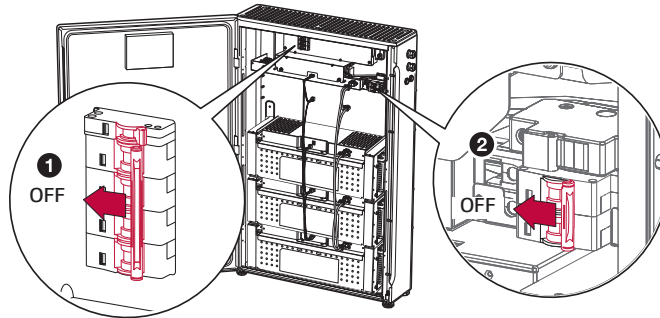


- 3 **Type A**
Switch the PCS circuit breaker and main circuit breaker of battery unit to the OFF position.

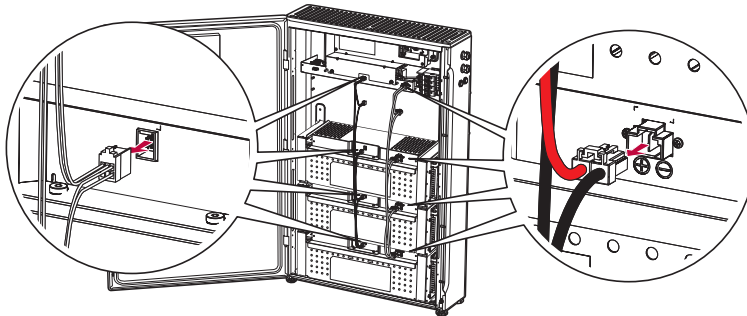


Type B

Switch the PCS circuit breaker to the OFF position, then switch the main circuit breaker to the OFF position.

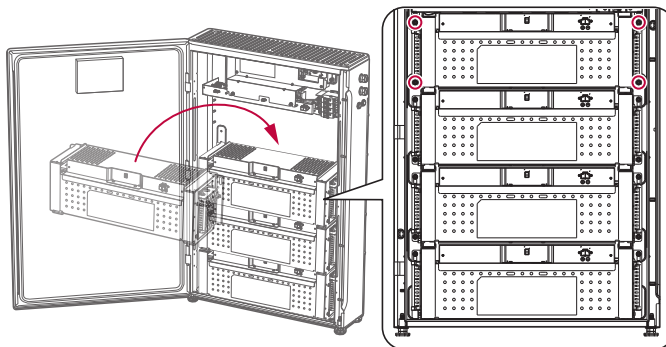


- 4 Disconnect the power cable harness and communication cable harness from the battery unit as shown in the figure.

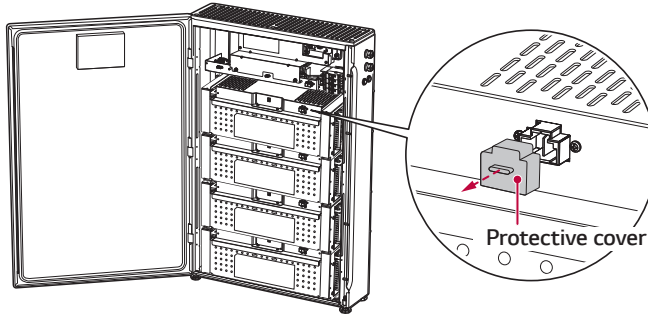


- 5 Place a battery module inside the enclosure and fix the battery module using supplied nuts (4 positions, 25 kgfcm).

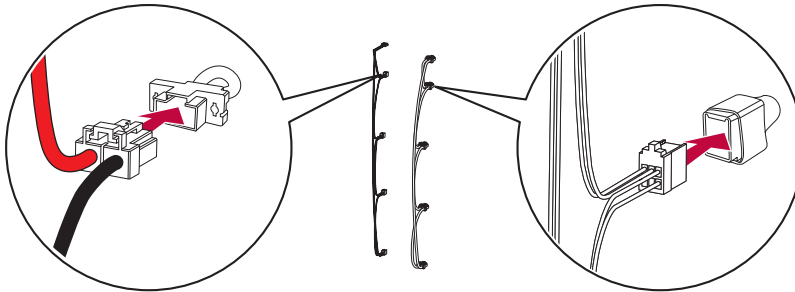
Nut assembling positions are indicated in the figure.



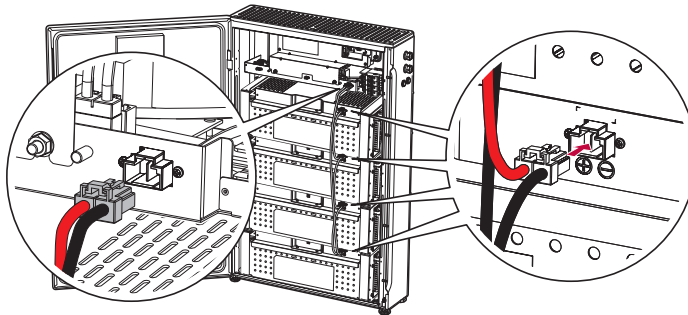
- 6 Remove protective cover on the power connector of the expansion battery module.
Do not touch the terminals after removing the protective cover.



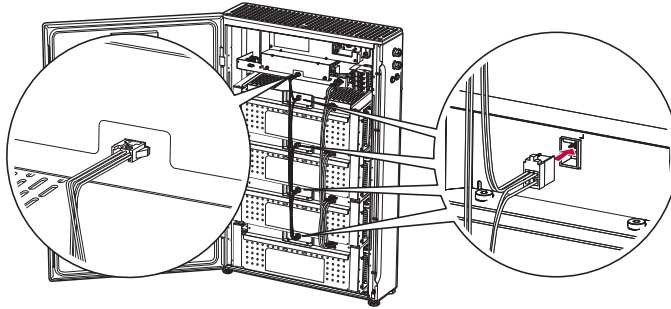
- 7 Disconnect the short connectors from the power cable harness and communication cable harness as shown in the figure.



- 8 Connect the power cable harness as shown in the figure.

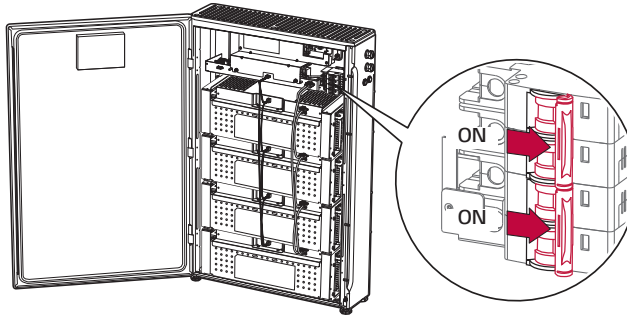


- 9 Connect the communication cable harness as shown in the figure.



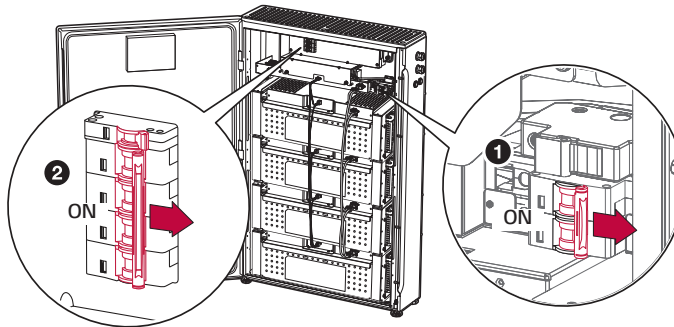
10 Type A

Switch the PCS circuit breaker and main circuit breaker of battery unit to the ON position.

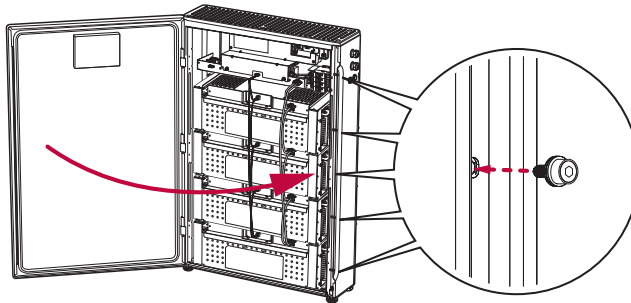


Type B

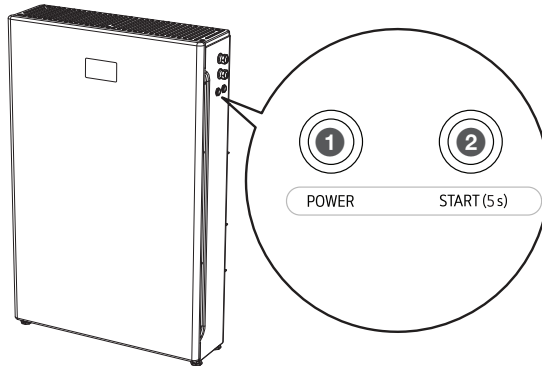
Switch the main circuit breaker to the ON position, then switch the PCS circuit breaker to the ON position.



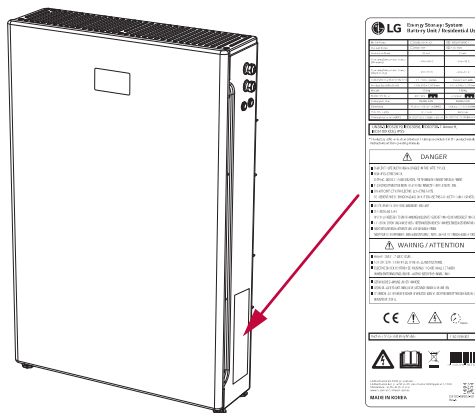
- 11** Close the front door and fasten the bolts on the right side. (30 kgf.cm)



- 12** Press the POWER button to turn the battery unit on. And then press and hold the START (5s) button for 5 seconds. You can hear the sound "click!".
If SOC level is shown on the LED display, the battery operation has been normally succeeded.



- 13** Find the unit Q label on the right side of the battery unit and attach the supplied Q label above the current label.



Maintenance

Inspecting Regularly

It is recommended to check the operating status and connection status once a year. It should be done by an LG-certified service provider. Contact an authorized dealer or the seller you purchased the system from.

Contact

If you have technical problems or questions, contact installation company or LG Electronics.

1. Installation Company

Address :

Tel :

2. Customer Service

LG Electronics ESS Service

E-Service Supro GmbH

Stolberger Straße 25

06493 Harzgerode

Tel : Germany: 0049 (0)39484 / 976 380

Austria: 0043 (0)720 / 11 66 01

Switzerland: 0041 (0)44 / 505 11 42

Belgium, Netherlands, Luxembourg:

0031 20 / 456 1660

E-Mail : lge@e-service48.de

3. LG Electronics Contact

LG Electronics Deutschland GmbH

Alfred-Herrhausen-Allee 3-5

65760 Eschborn

Tel. : + 0049 18 06 807 020

E-Mail: b2b.service@lge.de

LG Electronics Benelux

Krijgsman 1, 1186 DM, Amstelveen,

The Netherlands

Tel: +0031 (0)20 456 3100

E-Mail: b2b.service@lge.de

Disposing the product

When the product reached to the end of its service life or defect beyond repair, dispose the product according to the disposal regulations for electronic waste in your area. Disposing the product must be carried out by qualified personnel only. Contact authorized dealer or where you purchased.



1. This crossed-out wheeled bin symbol indicates that waste electrical and electronic products (WEEE) should be disposed of separately from the municipal waste stream.
2. Old electrical products can contain hazardous substances so correct disposal of your old appliance will help prevent potential negative consequences for the environment and human health.

Your old appliance may contain reusable parts that could be used to repair other products, and other valuable materials that can be recycled to conserve limited resources.

3. You can take your appliance either to the shop where you purchased the product, or contact your local government waste office for details of your nearest authorised WEEE collection point. For the most up to date information for your country please see www.lg.com/global/recycling

Removal of waste batteries and accumulators (Product with embedded battery ONLY)

You can take your appliance either to the shop where you purchased the product, or contact your local government waste office for details of your nearest authorised WEEE collection point. Please note that some distributors are obliged:

- to take back old devices from end-users upon selling a new equivalent equipment to them and
- provide free-of-charge collection for electrical and electronic equipment of very small dimensions (not exceeding 25 cm) without the obligation for end-users to purchase new equipment of an equivalent type.

When distributors deliver new equipment to private households, they are obligated to collect old equipment directly from them or to propose a take-back solution in a reasonable distance. Therefore, we recommend you to contact your distributor for more information.

LG Electronic Deutschland GmbH is duly registered as Producer in Germany. As such, LG contributes to the country-wide collection and recycling of WEEE that you bring to municipal separate collection facility. For the most up to date information please see www.lg.com/global/recycling or <https://www.lg.com/de/support/altgeraete-rueckgabe>

Entsorgung Ihrer Altgeräte



1. Das durchgestrichene Symbol eines fahrbaren Abfallbehälters weist darauf hin, dass Elektro- und Elektronik-Produkte (WEEE) getrennt von Hausmüll entsorgt werden müssen. Bitte entsorgen Sie Altgeräte getrennt von anderem Abfall und bringen Sie diese zu einer ausgewiesenen Sammelstelle für das Recycling von elektrischen und elektronischen Geräten. Falls die Geräte Batterien oder Lampen enthalten, die vom Endverbraucher ohne Beschädigung leicht entnommen werden können, trennen Sie diese bitte vor der Entsorgung von den Hauptgeräten, es sei denn, Sie möchten, dass die alten Geräte wiederverwendet werden (alte Batterien und Lampen werden getrennt gesammelt).
2. Alte elektrische Produkte können gefährliche Substanzen enthalten, die eine korrekte Entsorgung dieser Altgeräte erforderlich machen, um schädliche Auswirkungen auf die Umwelt und die menschliche Gesundheit zu vermeiden. Ihre ausgedienten Geräte können wiederverwendbare Teile enthalten, mit denen möglicherweise andere Produkte repariert werden können, aber auch sonstige wertvolle Materialien enthalten, die zur Schonung knapper Ressourcen recyclet werden können.
3. Sie können Ihr Gerät entweder in den Laden zurückbringen, in dem Sie das Produkt ursprünglich erworben haben oder Sie kontaktieren Ihre Gemeindeabfallstelle für Informationen über die nächstgelegene autorisierte WEEE Sammelstelle.

Bitte beachten Sie, dass einige Vertreter verpflichtet sind :

- bei der Abgabe eines neuen Elektro- oder Elektronikgerätes an einen Endnutzer ein Altgerät des Endnutzers der gleichen Geräteart unentgeltlich zurückzunehmen, und
 - Altgeräte, die in keiner äußeren Abmessung größer als 25 Zentimeter sind, im Einzelhandelsgeschäft oder in unmittelbarer Nähe hierzu unentgeltlich zurückzunehmen;
- Wenn Händler Neugeräte an Privathaushalte liefern, sind sie verpflichtet, Altgeräte direkt bei diesen abzuholen oder Rückgabemöglichkeiten in zumutbarer Entfernung anzubieten. Daher empfehlen wir Ihnen sich für weitere Informationen an Ihren Händler zu wenden.
4. LG Electronic Deutschland GmbH ist ordnungsgemäß als Hersteller in Deutschland registriert. Damit trägt LG deutschlandweit zur Sammlung von Elektro- und Elektronik-Altgeräten bei, die Sie in kommunalen Getrenntsammlungen abgeben. Die aktuellsten Informationen finden Sie unter: www.lg.com/global/recycling oder <https://www.lg.com/de/support/altgeraete-rueckgabe>.

Specifications

Battery Module	Unit	SPEC (BPEL04KAB-E)
Cell Configuration (e.g. XSYP)		28S 9P
Nominal voltage	Vdc	101.64
Capacity (Ah)	Ah	36.90
Maximum charging voltage	Vdc	114.60
End of discharging voltage	Vdc	70.00
Maximum charging current	A	18.27
Maximum discharging current (@ 5.0kW)	A	19.80
Standard charging current	A	11.10
Standard discharging current	A	7.38
Module size	mm	600.2 (W) x 191.6 (D) x 211.9 (H)
Module weight	kg	26

Feature & function	SPEC
Limited Warranty ¹⁾	See URL for full Limited Warranty (The warranty period of the expansion battery module is based on the warranty period of the battery unit before expanded.)

1) Visit: <https://www.lg.com/global/business/ess/business-resources/download>

- Design and specifications are subject to change without notice.

To ensure the full performance of the battery, it is recommended not to exceed the period of six month, from the manufacturing date to the date of commissioning.



Contact office for compliance of this product : LG Electronics European Shared Service Center
B. V Krijgsman 1, 1186 DM Amstelveen, The Netherlands
www.lg.com/global/business/ess





INSTALLATIONSANLEITUNG

Batterie- Erweiterungsmodul

- Bitte lesen Sie vor Gebrauch des Produkts diese Anleitung sorgfältig durch und bewahren Sie sie zum späteren Nachschlagen auf.
- In dieser Anleitung wird der Einbau des Batterie-Erweiterungsmodul in die ESS-Batterieeinheit erläutert (ESS - Energy Storage System) beschrieben. Überprüfen Sie bitte, in welche Modelle dieses Batterie-Erweiterungsmoduls eingesetzt werden kann.

Modell

BPEL04KAB-E



* 3 1 0 3 - 0 8 5 0 3 - 0 0 *

Rev. 01 14/07/2023

<https://www.lg.com/global/business/ess/business-resources/download>
Copyright © 2023 LG Electronics Inc. Alle Rechte vorbehalten.

Sicherheitshinweise

WICHTIG: DIESES PRODUKT DARF AUSSCHLIESSLICH FÜR DEN ZWECK BENUTZT WERDEN, DER IN DIESER ANLEITUNG BESCHRIEBEN IST.



WARNUNG Hinweise auf eine potentiell gefährliche Situation.

- Aufgrund von Hochspannungen im ESS kann Stromschlaggefahr sowie die Gefahr schwerer Verbrennungen bestehen.
- Hochspannungen an Gleichstromkabeln (DC-Kabel). Positive und negative Leiter nicht kurzschließen.
- Ungeeignete Betriebsbedingungen, Schäden, Missbrauch und/oder falscher Umgang können gefährliche Situationen zur Folge haben, z. B. durch Überhitzung, Elektrolyt-Nebel usw.
- Falls die Sicherheitshinweise nicht aufmerksam gelesen, verstanden und beachtet werden, kann dieses Produkt Gefahren mit sich bringen, z. B. Lebens- und ernste Verletzungsgefahren durch Feuer, Hochspannungen oder Explosion.
- Keine entflammaren oder potentiell explosiven Objekte in der Nähe des Produkts oder bei Vorhandensein explosiver Luftgemische abstellen oder installieren.
- Auf keinen Fall Gegenstände oben auf dem Produkt ablegen, während es in Betrieb ist.
- Alle Arbeiten an Batterie-Installationen dürfen nur von LG-zertifizierten Dienstleistern durchgeführt werden.
- Elektroinstallationen müssen in Übereinstimmung mit den vor Ort und im Land geltenden Sicherheitsstandards durchgeführt werden.
- Bei Installationsarbeiten an Batteriemodulen sind Gummihandschuhe und Schutzkleidung (einschließlich Schutzbrille und Schutzstiefel) zu tragen.
- Es besteht Stromschlaggefahr. Das Batteriemodul nicht auseinandernehmen. Im Inneren befinden sich keine Teile, die vom Benutzer gewartet werden könnten. Wartungsarbeiten sind durch qualifizierte und akkreditierte Servicetechniker auszuführen.
- Um das Produkt nicht zu beschädigen, darf es nicht fallen gelassen werden, deformiert, gestoßen oder mit einem scharfen Objekt geschnitten oder durchbohrt werden. Dies kann zur Freisetzung von Elektrolyt oder zu einem Brand führen.
- Bei Ausfall der Einheit könnte Elektrolyt freigesetzt werden oder es könnte entflammbares Gas entstehen.
- Bei Auslaufen von Elektrolyt unbedingt Augen- und Hautkontakt damit vermeiden und auch Kleidung davon fernhalten. Bei einem Unfall sofort mit Wasser ausspülen und ärztliche Hilfe in Anspruch nehmen.
- Nicht auf dem Produkt oder der Produktverpackung stehen oder sitzen. Das könnte zu schweren Körperverletzungen oder Schäden am Produkt führen.
- In der Nähe des Produkts nicht rauchen und keine offene Flamme betreiben.



VORSICHT

Kennzeichnet eine Situation, in der Gefahren in Form von möglichen Sach- oder Personenschäden bestehen.

- Dieses Produkt dient zur Erweiterung von Batteriemodulen. Verwenden Sie es ausschließlich zur Erweiterung von HVB Batterieeinheiten, nicht für andere Zwecke.
- Aufgrund seines schweren Gewichtes könnte das Produkt schwere Verletzungen verursachen. Darum muss die Handhabung mit besonderer Vorsicht erfolgen. Bei der Anlieferung und beim Bewegen des Pakets müssen mindestens zwei Personen mitwirken.
- Das Produkt darf nicht (tropfendem oder spritzendem) Wasser ausgesetzt werden, und es dürfen auch keine mit Flüssigkeit gefüllten Gefäße auf ihm abgestellt werden, wie z. B. eine Blumenvase.
- Die Entsorgung dieses Produkts muss den vor Ort gültigen Vorschriften und Gesetzen entsprechen.
- Kein schweren Gegenstände auf dem Produkt ablegen. Sonst könnten Verformungen oder Brüche bewirkt werden.
- Überzeugen Sie sich vor Anschließen des Produkts davon, dass der DC-Schalter der ESS Batterieeinheit auf Aus geschaltet ist.
- Zum Reinigen dieses Produkts keine Lösungsmittel, Scheuermittel oder ätzenden Mittel benutzen.
- Das Gerät muss außerhalb der Reichweite von Kindern und Tieren sein.
- Es sollten keine Fremdkörper vorhanden sein, die die Unterseite des Produkts beschädigen könnten.



HINWEIS

Kennzeichnet eine mögliche Gefahr, dass das Produkt beschädigt werden könnte.

- Keine Gegenstände auf dem Produkt ablegen oder an das Produkt anlehnen. Das könnte zu schweren Störungen oder zu anderen Problemen führen.
- Dieses Batterie-Erweiterungsmodul ist nur für die ESS-Batterieeinheit (BUEL011HBC1) von LG konzipiert und in diese installierbar. Dieses Batterie-Erweiterungsmodul auf keinen Fall an ein Gerät anschließen, das Wechselspannung (AC - Alternating Current) erzeugt, wie z. B. an eine Wechselstromquelle oder einen Generator. Wenn Sie das Produkt an externe Geräte anschließen, kann dies zu schweren Schäden an Ihren Geräten führen.
- Die Handhabung von Akkus sollte nur durch LG Servicepersonal oder ausgebildete Installateure erfolgen oder angeleitet werden.
- Der Akku wird nicht weiter entladen, wenn dessen Restladung unter einer bestimmten Stufe ist.
- Um die jüngste ESS-Dokumentation und das vollständige Dokument zur beschränkten Garantie zu erhalten, besuchen Sie: <https://www.lg.com/global/business/ess/business-resources/download>

Erste Hilfe Maßnahmen

Das Produkt verfügt über interne Mechanismen zur Fehlererkennung und -beseitigung, um Fehler und damit verbundene Gefahren zu verhindern. LG Electronics kann jedoch keine Garantie für den sicheren Betrieb des Produkts übernehmen, wenn es unsachgemäß benutzt, beschädigt ist oder fahrlässig damit umgegangen wird.

Falls ein Benutzer durch Beschädigung des Außengehäuses mit internen Materialien einer Akkuzelle in Berührung kommt, werden folgende Maßnahmen empfohlen.

- Bei Einatmen: Sofort den kontaminierten Bereich verlassen und einen Arzt aufsuchen.
- Bei Augenkontakt: Die Augen mit fließendem Wasser 15 Minuten lang auswaschen und ärztlichen Rat einholen.
- Bei Hautkontakt: Den betroffenen Bereich gründlich mit Wasser und Seife waschen und ärztlichen Rat einholen.
- Bei Einnahme (Schlucken): Erbrechen herbeiführen und ärztlichen Rat einholen.

Maßnahmen zur Feuerbekämpfung

Geeignete Feuerlöschmittel

Verwenden Sie Metallfeuerlöschpulver oder trockenen Sand, wenn nur wenige Zellen betroffen sind. Im Falle eines großen Brandes, verwenden Sie eine große Menge Wasser zum Löschen oder einen Lithium-Feuerlöscher zum Löschen.

Besondere Gefahren, die von den Chemikalien ausgehen

Wenn das Elektrolyt mit Wasser in Berührung kommt, kann sich Fluorwasserstoffsäure bilden. Im Brandfall kann die Bildung der folgenden Rauchgase nicht ausgeschlossen werden: Fluorwasserstoff (HF), Kohlenmonoxid und Kohlendioxid.

Schutzausrüstung und Vorsichtsmaßnahmen für Feuerwehrleute

Falls Akkus aufgeladen werden, Strom abschalten.

Umluftunabhängiges Atemschutzgerät und einen Chemikalienschutzanzug tragen.



WARNUNG

Die Akkuzelle kann Feuer fangen, wenn sie über 130°C (266°F) erhitzt wird. Wenn das Akkupaket brennt, werden giftige Gase freigesetzt. Halten Sie sich fern.

Wirksame Maßnahmen bei Unfällen

- An Land: Beschädigten Akku an einen abgesonderten Platz bringen und die lokale Feuerwehr oder einen Servicetechniker rufen.
- Auf dem Wasser: Vom Wasser fern bleiben und das Produkt nicht berühren, falls ein Teil des Akkus, Inverter oder Kabel in Wasser eingetaucht sind.
- Den in Wasser getauchten Akku nicht erneut benutzen. Wenden Sie sich an Ihren Servicetechniker, wenn Sie Hilfe benötigen.

Inhaltsverzeichnis

Erste Schritte

Sicherheitshinweise	2
Erste Hilfe Maßnahmen	4
Produkteigenschaften	6
Auspacken.....	7
Batterie-Erweiterungsmodul auspacken.....	7
Lieferumfang	8
Bezeichnung der einzelnen Teile.....	9

Installation

Vorbereitung.....	10
Die Batterieeinheit prüfen	10
So überprüfen Sie die Anzahl von Lade- und Entladezyklen.....	10
Einstellungen des Energiespeichersystems (ESS).....	11
Ein Batterie-Erweiterungsmodul in der Batterieeinheit installieren	14

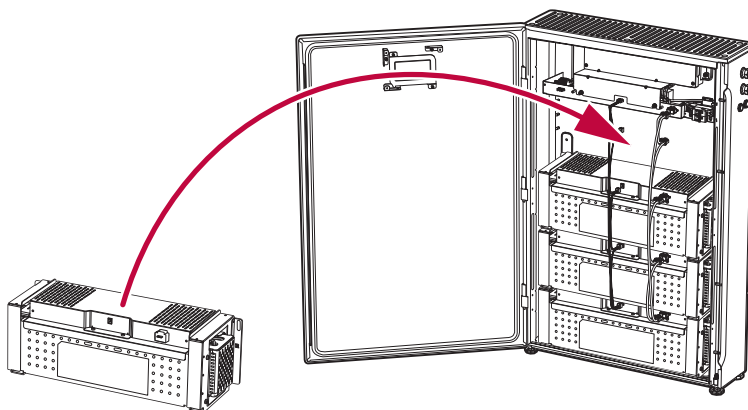
Anhang

Wartung	20
Regelmäßige Inspektionen.....	20
Kontakt.....	20
Produkt entsorgen	21
Technische Daten.....	22

Produkteigenschaften

Bei diesem Produkt handelt es sich um ein Lithium-Ionen-Batterie-Erweiterungsmodul, das zusätzlich zur vorhandenen ESS-Batterieeinheit installiert werden kann. Vergewissern Sie sich vor dem Einbau dieses Batterie-Erweiterungsmoduls in Ihre ESS-Batterieeinheit, dass Ihre ESS-Batterieeinheit erweiterungsfähig ist.

Wenden Sie sich an einen autorisierten Händler oder an den Verkäufer, bei dem Sie das System gekauft haben, um zu erfahren, ob das Batterie-Erweiterungsmodul installiert werden kann.



Produktspezifikationen

Alle in diesem Dokument enthaltenen Spezifikationen und Beschreibungen wurden zum Zeitpunkt der Drucklegung auf ihre Richtigkeit hin überprüft. Da LG Electronics aber das Ziel hat, Produkte kontinuierlich zu verbessern, behalten wir uns das Recht vor, jederzeit Produktänderungen durchzuführen.

Die in diesem Dokument enthaltenen Abbildungen dienen nur Demonstrationszwecken. Je nach Produktversion und Marktgebiet können Einzelheiten anders aussehen.

©2023 LG Electronics Inc. Alle Rechte vorbehalten.

Alle Informationen in diesem Dokument unterliegen dem Urheberrecht und anderen geistigen Eigentumsrechten von LG Electronics Inc. und ihren Lizenzgebern. Dieses Material darf nicht ohne vorherige schriftliche Genehmigung von LG Electronics Inc. und ihren Lizenzgebern verändert, reproduziert oder kopiert werden, weder ganz noch teilweise. Auf Anfrage stehen weitere Informationen zur Verfügung. Die folgenden Bezeichnungen sind Markenzeichen oder eingetragene Marken von LG Electronics Inc. in Europa und in anderen Ländern:

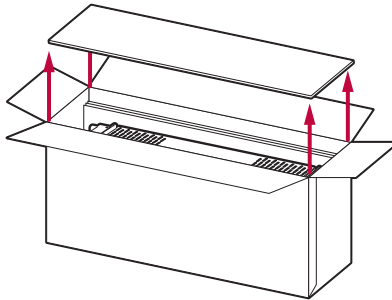


Auspacken

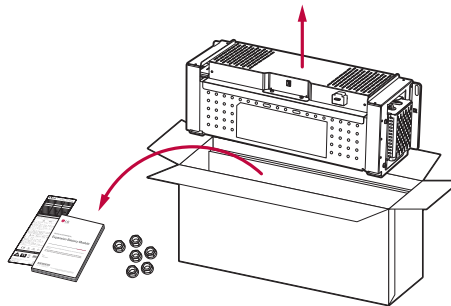
Batterie-Erweiterungsmodul auspacken

Das Batterie-Erweiterungsmodul aus seiner Verpackung nehmen.

- 1 Das Packband entfernen und die Box öffnen.



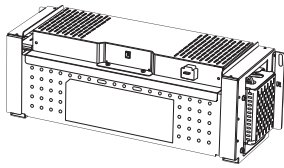
- 2 Alle Komponenten und Zubehörteile herausnehmen.



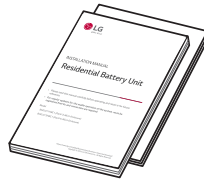
WARNUNG

- Für die sichere Installation und den Transport sind mindestens 2 Personen erforderlich.
- Dieses Produkt ist sehr schwer. Bei Handhabung des Geräts ist persönliche Schutzausrüstung zu tragen (z. B. Handschuhe und Sicherheitsschuhe). Das Produkt sollte nur von einer ausreichenden Anzahl geschulter Umzugshelfer angehoben werden.

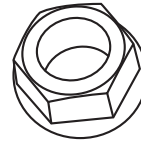
Lieferumfang



Batterie-Erweiterungsmodul



Installationsanleitung



Muttern (jeweils 17)



Q-Etikett

Erforderliche Werkzeuge



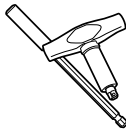
Isolierhandschuhe



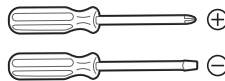
Schutzbrille



Sicherheitsschuhe



200 mm Magnet-Bohrspitzenhalter und Knebelgriff-Drehmomentschlüssel mit magnetischem Innensechskant (M5, M6, M8)

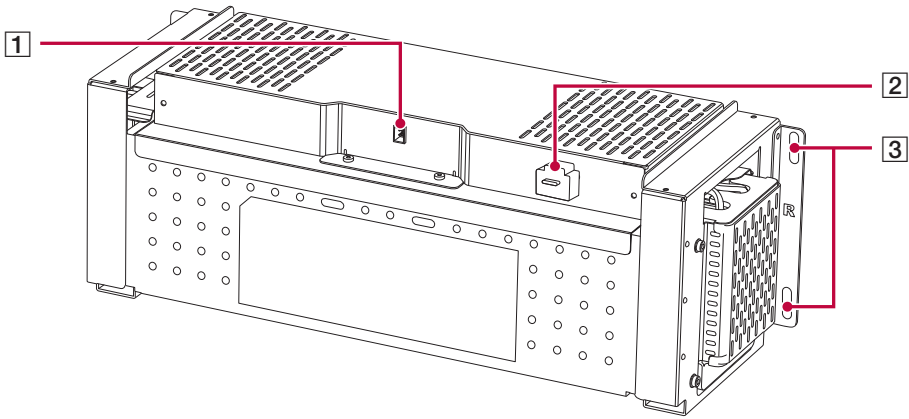


Schraubendreher
Phillips (5 mm)
Flachkopf (6, 5, 4, 2 mm)



Spannungsmesser

Bezeichnung der einzelnen Teile



- 1 Kommunikationskabel-Konnektor
- 2 Stromkabel-Konnektor
- 3 Schraubenmutter-Befestigungsloch

Vorbereitung

Die Batterieeinheit prüfen

Um die Batterieleistung und -sicherheit zu gewährleisten, müssen alle nachstehenden Bedingungen erfüllt sein, damit ein Batterie-Erweiterungsmodul installiert werden kann.

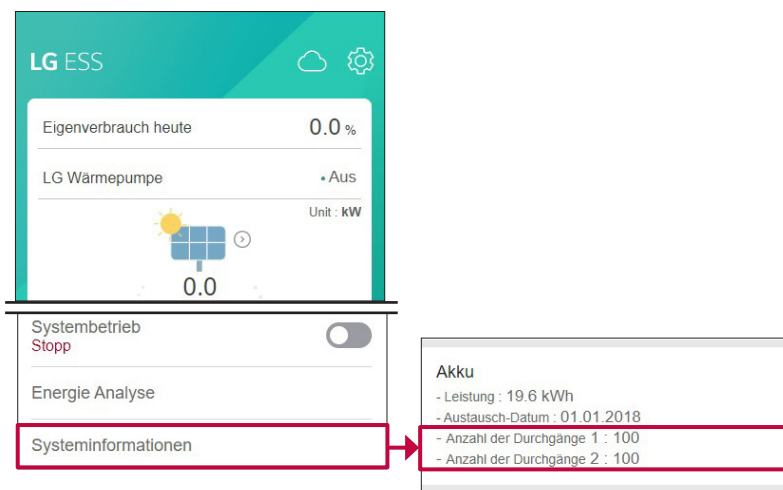
- Die derzeitige Batterieeinheit hat 200 Lade- und Entladezyklen hinter sich.
- Das Installationsdatum der aktuellen Batterieeinheit liegt in einem Zeitraum von 18 Monaten.

HINWEIS

- Es wird empfohlen, bei der benutzten Batterie den SOC-Wert auf etwa 30% einzustellen, um einen schnellen Einbau zu ermöglichen.
- Die Anpassungszeit hängt von der Spannungsdifferenz zwischen der Batterie und der Erweiterungs-Batterie ab. Ist der Spannungsunterschied groß, kann es bis zu 3 Stunden dauern.

So überprüfen Sie die Anzahl von Lade- und Entladezyklen

Um die Lade- und Entladezyklen Ihrer Batterieeinheit zu überprüfen, muss Ihr Energiespeichersystem im EnerVu-System registriert sein. Benutzen Sie die App EnerVu auf Ihrem Mobilgerät, um die Anzahl der Zyklen wie unten beschrieben zu überprüfen.

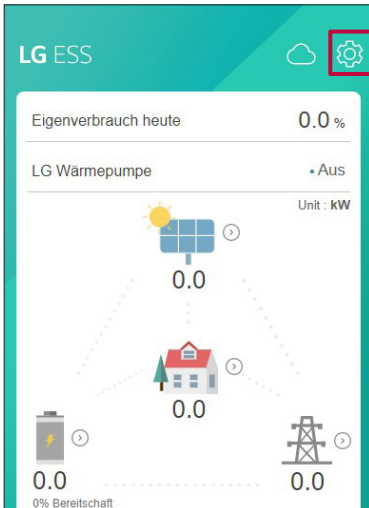


- 1 Die App EnerVu+ auf Ihrem Mobilgerät starten.
- 2 Auf [Systeminformationen] tippen und die Anzeige scrollen, bis der Abschnitt Batterie angezeigt wird. Unter [Anzahl der Durchgänge] wird die Anzahl der Lade- und Entladezyklen der Batterieeinheit angezeigt.

Einstellungen des Energiespeichersystems (ESS)

Wenn alle Bedingungen für die Installation des Batterie-Erweiterungsmoduls erfüllt sind, muss das Energiespeichersystem den Betrieb beenden, um vor der Installation einige Einstellungen für die Batterieerweiterung durchzuführen.

1



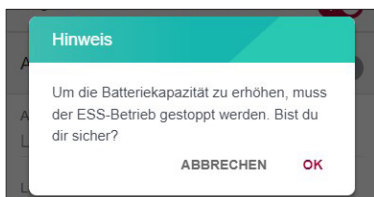
Die App EnerVu+ auf Ihrem Mobilgerät starten und auf [⚙️] tippen.

2



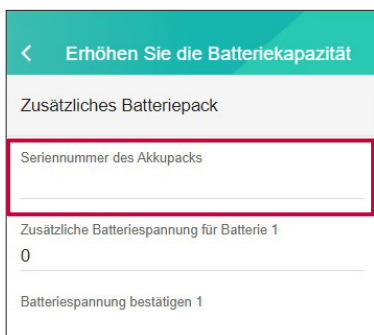
Auf [Installateur-Einstellungen] > [Akku] > [Erhöhen Sie die Batteriekapazität] tippen.

3



Eine Popup-Meldung wird angezeigt. Auf [OK] tippen, um den ESS-Betrieb anzuhalten und um zum nächsten Schritt überzugehen.

4

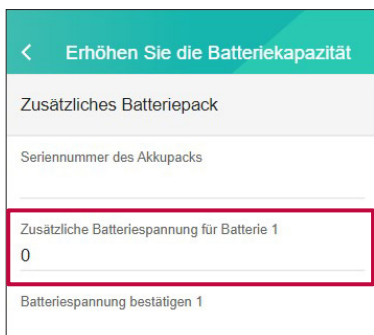


In das Feld [Seriennummer des Akkupacks] die 21 Zeichen eingeben, die in der oberen rechten Ecke der Batterie auf dem QR-Etikett angegeben sind, dann auf [Speichern] tippen.

HINWEIS

Wenn Ihr Energiespeichersystem über zwei Batterieeinheiten verfügt, müssen Sie die Seriennummer der beiden zusätzlichen Batteriemodule für die Batterieeinheiten 1 und 2 eingeben.

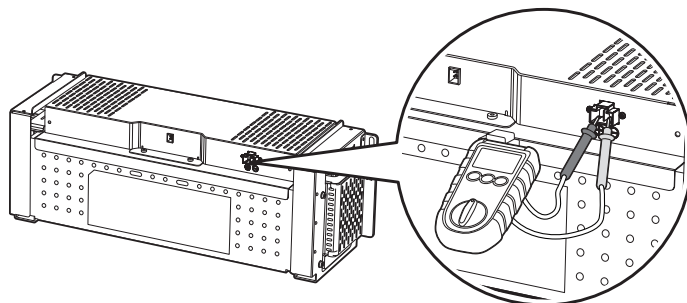
5



Messen Sie die Spannung des zusätzlichen Batteriemoduls und geben Sie unter [Zusätzliche Batteriespannung für Batterie 1 oder 2] die entsprechenden Werte ein, und tippen Sie auf [SPEICHERN].

HINWEIS

- Wenn Ihr Energiespeichersystem über zwei Batterieeinheiten verfügt, müssen Sie die Spannung der beiden zusätzlichen Batteriemodule für die Batterieeinheiten 1 und 2 eingeben.
- Die Spannung des Batterie-Erweiterungsmoduls mit zwei Dezimalstellen eingeben.



6

Erhöhen Sie die Batteriekapazität

Zusätzliches Batteriepack

Seriennummer des Akkupacks

Zusätzliche Batteriespannung für Batterie 1
0

Batteriespannung bestätigen 1

Geben Sie die Spannung des zusätzlichen Batterie-Moduls noch einmal in das Feld [Batteriespannung bestätigen 1 oder 2] ein und tippen Sie auf [SPEICHERN].



VORSICHT

Falls die Spannung falsch eingegeben wird, kann es aufgrund von Spannungsunterschieden zwischen den Batteriezellen zu Störungen und Batterieschäden kommen.

7

Erhöhen Sie die Batteriekapazität

Zusätzliches Batteriepack

Seriennummer des Akkupacks
BPEL04KAB-EKET21H0001

Zusätzliche Batteriespannung für Batterie 1
110

- Fehlercode : 0

Passen

Auf [Passen] tippen, um beim System automatisch den Lade- oder Entladevorgang entsprechend der zu erweiternden Batterieleistung zu starten.



HINWEIS

Falls der Abgleich fehlschlägt, wird eine Fehlermeldung angezeigt. In diesem Fall erneut versuchen, den Abgleichvorgang durchzuführen.

8

Hinweis

Der Abgleich ist abgeschlossen. Schalten Sie die gesamte ESS-Stromversorgung aus, installieren Sie einen neuen Batteriesatz, schalten Sie die ESS-Stromversorgung wieder ein und fahren Sie nach dem Betriebstest.

OK

Wenn der Abgleich vollzogen ist, das/die zusätzliche(n) Batteriemodul(e) in dem Gehäuse installieren, wo die Erweiterung vorgenommen werden soll. Dann das System neu starten. Bevor das System wieder in Betrieb genommen wird, den [Betriebstest] ausführen, um die Systembedingungen zu überprüfen.

Ein Batterie-Erweiterungsmodul in der Batterieeinheit installieren

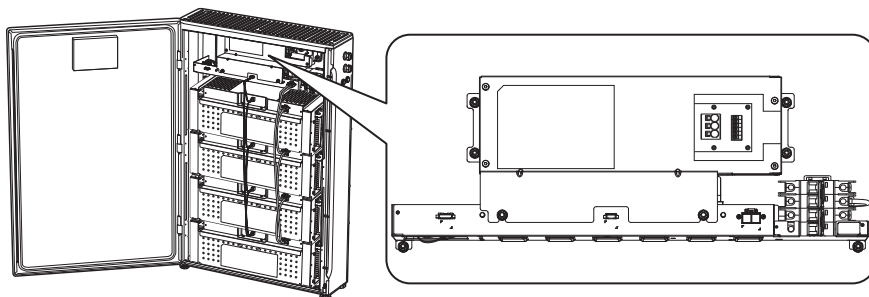
Dieses Produkt erfordert eine elektrische Verbindung mit der ESS-Batterieeinheit. Bevor Sie das Batterie-Erweiterungsmodul an die ESS-Batterieeinheit anschließen, lesen Sie bitte für weitere Informationen die Installationsanleitung der ESS-Batterieeinheit.

HINWEIS

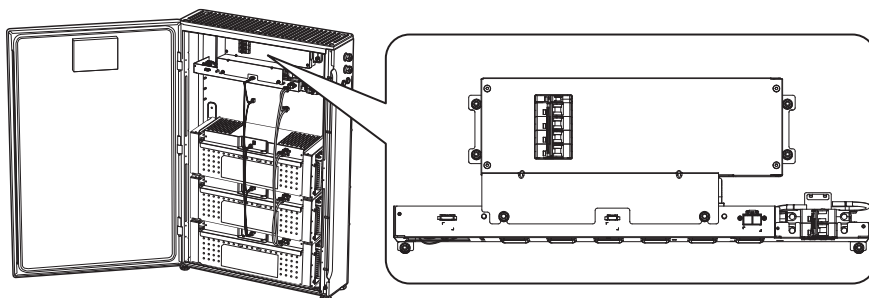
Zur Installation dieses Batterie-Erweiterungsmoduls gibt es zwei Typen von ESS-Batterieeinheiten.

Orientieren Sie sich an den Abbildungen unten, um die Unterschiede zwischen Typ A und Typ B zu erkennen.

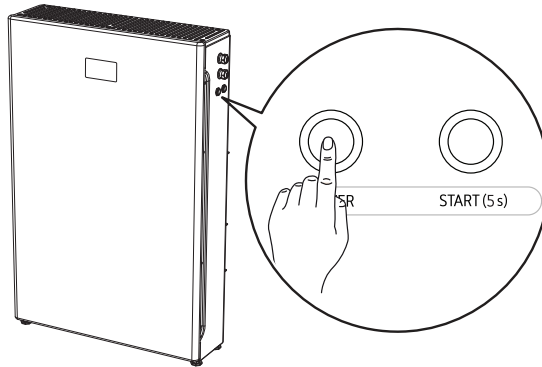
Typ A



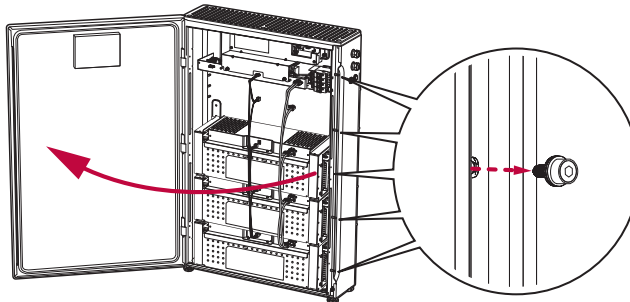
Typ B



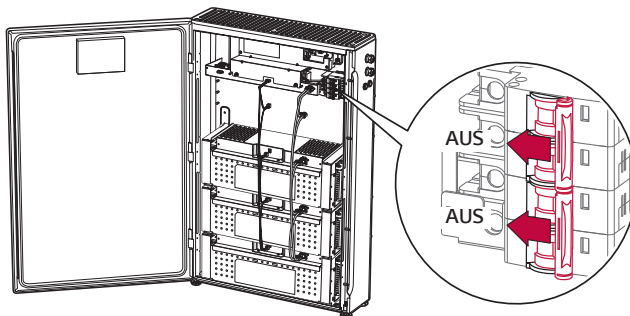
- 1 Auf die EIN/AUS-Taste drücken, um die Batterieeinheit auszuschalten.
Wenn die LED-Anzeige erloschen ist, ist die Batterieeinheit ausgeschaltet.



- 2 Auf der rechten Seite die Schrauben entfernen und die Vordertür öffnen.

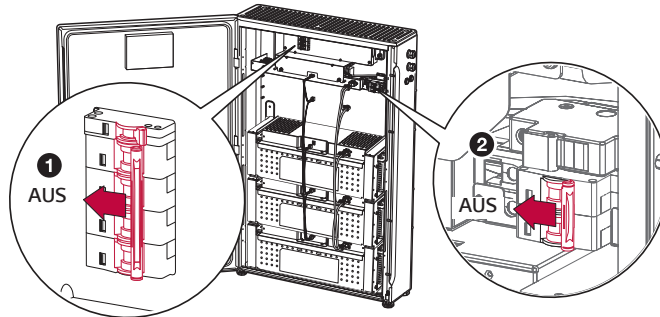


- 3 **Typ A**
Den PCS-Schutzschalter und den Hauptschutzschalter der Batterieeinheit auf Position OFF (AUS) stellen.

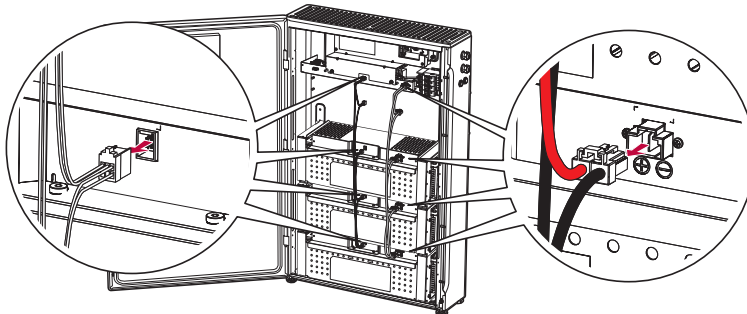


Typ B

Den PCS-Schutzschalter auf die Position OFF (AUS) stellen und dann den Hauptschutzschalter auf Position OFF (AUS) stellen.

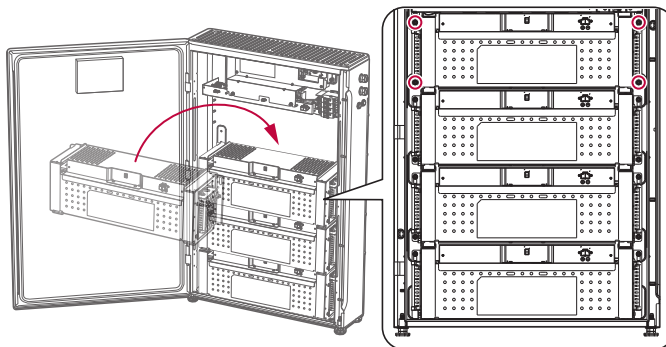


- 4 Den Kabelstrang des Stromversorgungskabels und den Kabelstrang des Kommunikationskabels von der Batterieinheit trennen - siehe Abbildung.

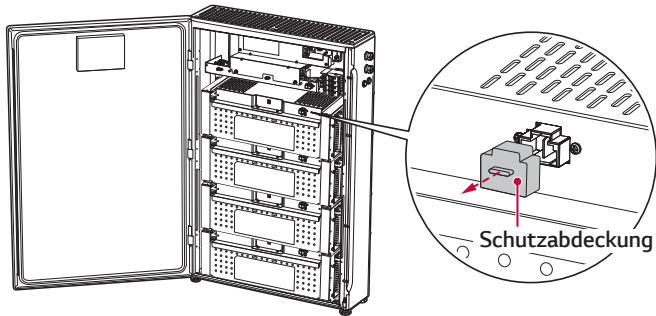


- 5 Das Batteriemodul in das Batterie-Gehäuse setzen und darin mit den mitgelieferten Schraubenmuttern (4 Stellen, 25 kgf.cm) befestigen.

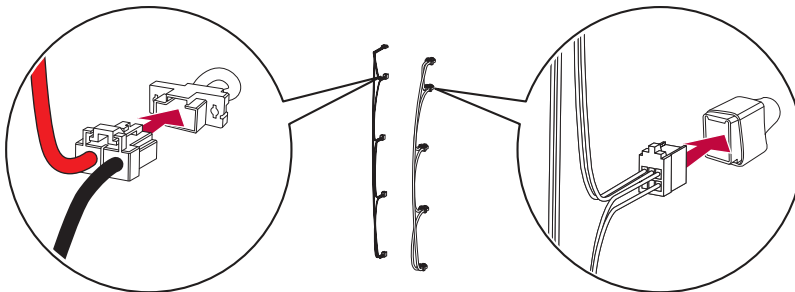
Die Positionen der Schraubenmutter sind in der Abbildung angegeben.



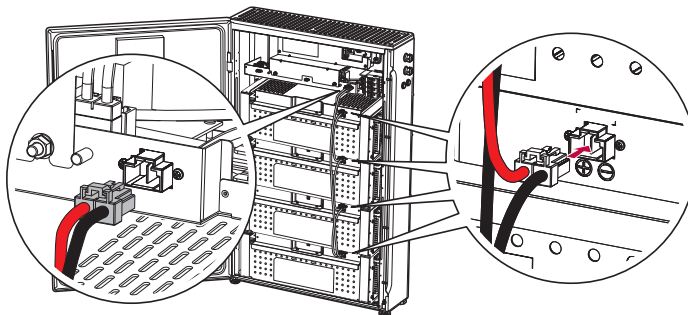
- 6 Auf dem Strom-Konnektor des Batterie-Erweiterungsmoduls die Schutzabdeckung entfernen.
Nach Entfernen der Schutzabdeckung nicht die Anschlüsse berühren!



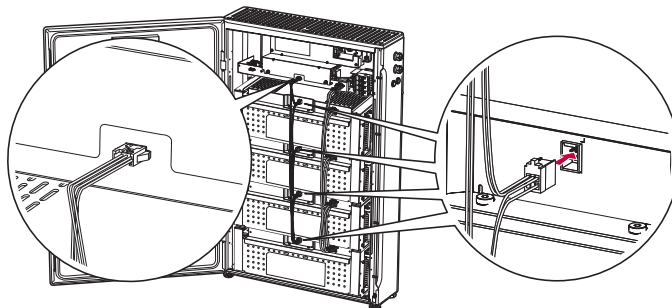
- 7 Die kurzen Verbindungsglieder des Stromversorgungskabelstrangs und des Kommunikationskabelstrangs trennen - siehe Abbildung.



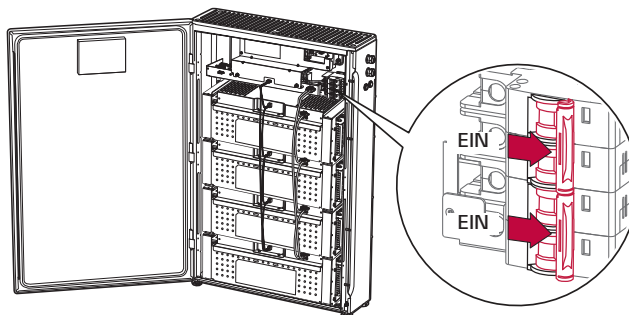
- 8 Den Stromversorgungskabelstrang anschließen - siehe Abbildung.



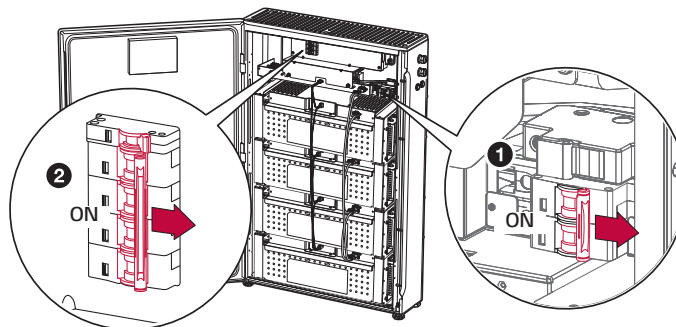
- 9 Den Kommunikationskabelstrang anschließen - siehe Abbildung.



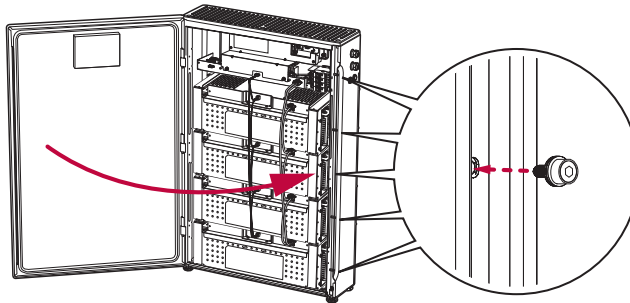
- 10 **Typ A**
Den PCS-Schutzschalter und den Hauptschutzschalter der Batterieeinheit auf Position ON (EIN) stellen.



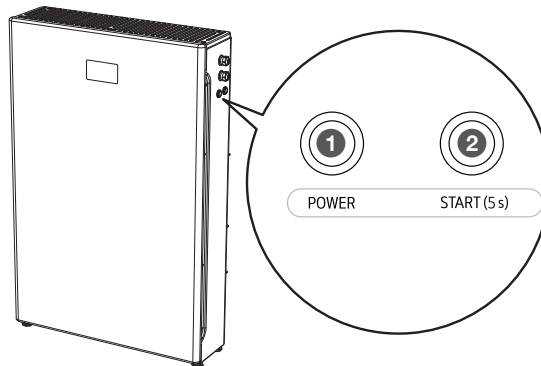
- Typ B**
Den Hauptschutzschalter auf die Position ON (EIN) stellen und dann den PCS-Schutzschalter auf Position ON (EIN) stellen.



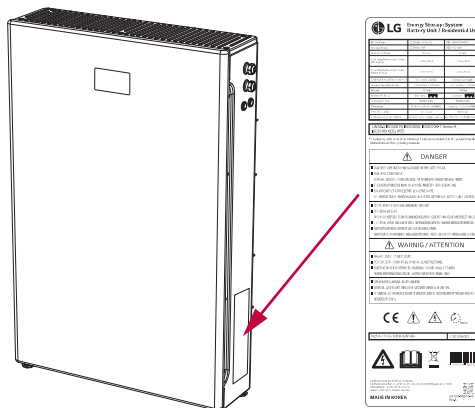
- 11 Die Vordertür schließen und auf der rechten Seite die Schrauben festziehen. (30 kgf.cm)



- 12 Auf die EIN/AUS-Taste drücken, um die Batterieeinheit einzuschalten. Dann 5 Sekunden (5s) lang die START-Taste gedrückt halten. Sie hören ein „Klicken“
Wenn auf der LED-Anzeige der SOC-Pegel (SOC - State of Charge = Ladezustand) angezeigt wird, ist der Batteriebetrieb erfolgreich hergestellt.



- 13 Suchen Sie das Q-Etikett auf der rechten Seite der Batterieeinheit und bringen Sie das mitgelieferte Q-Etikett über dem aktuellen Etikett an.



Wartung

Regelmäßige Inspektionen

Es wird empfohlen, jedes Jahr den Betriebszustand und die Anschlüsse zu überprüfen. Sollte von einem LG-zertifizierten Dienstleister durchgeführt werden. Wenden Sie sich an einen autorisierten Händler oder die Vertriebsstelle, wo Sie das System gekauft haben.

Kontakt

Falls Sie technische Probleme oder Fragen haben, kontaktieren Sie die Installationsfirma oder LG Electronics.

1. Installationsfirma

Adresse:

Tel:

2. Kundendienst

LG Electronics ESS Service
E-Service Supro GmbH
Stolberger Straße 25
06493 Harzgerode

Tel.: Deutschland: 0049 (0)39484 / 976 380
Österreich: 0043 (0)720 / 11 66 01
Schweiz: 0041 (0)44 / 505 11 42
Belgien, Niederlande, Luxemburg:
0031 20 / 456 1660
E-Mail: lge@e-service48.de

3. LG Electronics Kontakt

LG Electronics Deutschland GmbH
Alfred-Herrhausen-Allee 3-5
65760 Eschborn
Tel.: + 0049 18 06 807 020
E-Mail: b2b.service@lge.de

LG Electronics Benelux
Krijgsman 1, 1186 DM, Amstelveen,
Niederlande
Tel.: +0031 (0)20 456 3100
E-Mail: b2b.service@lge.de

Produkt entsorgen

Wenn das Produkt das Ende seiner Lebensdauer erreicht hat oder ein Defekt nicht repariert werden kann, muss das Produkt gemäß den vor Ort geltenden Entsorgungsvorschriften für Elektroschrott entsorgt werden. Die Entsorgung des Produkts darf nur von dafür qualifiziertem Fachpersonal durchgeführt werden. Wenden Sie sich dazu an einen autorisierten Händler oder an die Stelle, bei der Sie das Produkt gekauft haben.



1. Dieses Symbol mit dem durchgestrichenen fahrbaren Mülleimer signalisiert, dass gemäß WEEE-Vorschrift elektrische und elektronische Produkte vom Hausmüll getrennt entsorgt werden müssen (WEEE - Waste Electrical and Electronic Equipment Directive - Richtlinie zu Elektro- und Elektronikgeräte-Abfall).
2. Alte elektrische Produkte können gefährliche Stoffe enthalten, sodass die ordnungsgemäße Entsorgung alter Geräte dazu beiträgt, negative Auswirkungen auf die Umwelt und auf die Gesundheit von Menschen zu vermeiden.
Ihr altes Gerät kann wiederverwendbare Teile enthalten, die benutzt werden können, andere Produkte zu reparieren. Und es können andere wertvolle Materialien enthalten sein, die recycelt werden können, um begrenzte Ressourcen zu schonen.
3. Sie können Ihr Gerät entweder zu dem Geschäft bringen, wo Sie es gekauft haben, oder Sie informieren sich bei der Behörde vor Ort, die für Entsorgungsfragen zuständig ist, und fragen, wo der nächste autorisierte WEEE-Sammelpunkt ist. Die aktuellsten Informationen in Bezug auf Ihr Land finden Sie unter www.lg.com/global/recycling

Beseitigung verbrauchter Batterien und Akkus

(NUR Produkt mit eingebautem Akku)

Sie können Ihr Gerät entweder zu dem Geschäft bringen, wo Sie es gekauft haben, oder Sie informieren sich bei der Behörde vor Ort, die für Entsorgungsfragen zuständig ist, und fragen, wo der nächste autorisierte WEEE-Sammelpunkt ist. Bitte beachten Sie, dass einige Händler zu Folgendem verpflichtet sind:

- alte Geräte vom Endbenutzer zurückzunehmen, wenn sie ein gleichwertiges neues Gerät an ihn verkaufen
- Elektro- und Elektronikgeräten mit sehr geringen Abmessungen (bis 25 cm) kostenlos zurückzunehmen, ohne dass Endbenutzer verpflichtet sind, ein neues Gerät eines gleichwertigen Typs zu kaufen.

Wenn Händler neue Geräte an private Haushalte liefern, sind sie verpflichtet, Altgeräte direkt bei ihnen abzuholen oder eine Rücknahmemöglichkeit in zumutbarer Entfernung anzubieten. Wir empfehlen deshalb, sich für weitere Informationen an Ihren Händler zu wenden.

LG Electronic Deutschland GmbH ist als Hersteller in Deutschland ordnungsgemäß registriert. Als solcher Hersteller trägt LG zur landesweiten Sammlung und zum Recycling von Elektro- und Elektronik-Altgeräten bei, die Sie zu einer kommunalen Sammelstelle für getrennte Abfallentsorgung bringen. Die aktuellsten Informationen in Bezug auf Ihr Land finden Sie unter www.lg.com/global/recycling oder <https://www.lg.com/de/support/altgeraete-rueckgabe>

Technische Daten

Akku-Modul	Einheit	SPEC (BPEL04KAB-E)
Zellen-Konfiguration (z. B. XSYP)		28S 9P
Nennspannung	Gleichspannung	101,64
Kapazität (Ah)	Ah	36,90
Maximale Ladespannung	Gleichspannung	114,60
Spannung bei Ende der Entladung	Gleichspannung	70,00
Maximaler Ladestrom	A	18,27
Maximaler Entladestrom (bei 5,0 kW)	A	19,80
Standard Ladestrom	A	11,10
Standard Entladestrom	A	7,38
Modulgröße	mm	600,2 (B) x 191,6 (T) x 211,9 (H)
Modulgewicht	kg	26

Eigenschaften und Funktionen	SPEC
Beschränkte Garantie ¹⁾	Vollständige beschränkte Garantie siehe URL (Die Garantiezeit des Batterie-Erweiterungsmoduls basiert auf der Garantiezeit der Batterieeinheit vor der Erweiterung.)

1) Besuchen Sie: <https://www.lg.com/global/business/ess/business-resources/download>

- Konstruktion und Spezifikationen können ohne Vorankündigung geändert werden.

Damit die volle Leistungsfähigkeit des Akkus gewährleistet ist, wird empfohlen, dass das Inbetriebnahme-Datum des Produkts nicht später als sechs Monate nach dem Herstellungsdatum liegt.



Bei Fragen zur Produktkonformität wenden Sie sich an das Büro: LG Electronics European Shared Service Center B. V Krijgsman 1, 1186 DM Amstelveen, Niederlande
www.lg.com/global/business/ess







MANUAL DE INSTALACIÓN

Módulo de batería de expansión

- Lea este manual detenidamente antes de utilizar el equipo y guárdelo para futuras consultas.
- En esta guía se explica cómo instalar el módulo de batería de expansión en la unidad de batería del ESS. Compruebe los modelos en los que se puede instalar este módulo de batería de expansión.

Modelo

BPEL04KAB-E



* 3 1 0 3 - 0 8 5 0 3 - 0 0 *

Rev. 01 14/07/2023

<https://www.lg.com/global/business/ess/business-resources/download>
Copyright © 2023 LG Electronics Inc. Todos los derechos reservados.

Información de seguridad

IMPORTANTE: NO DEBE UTILIZAR EL PRODUCTO PARA NINGÚN OTRO FIN QUE NO SEA EL DESCRITO EN ESTE MANUAL DE INSTALACIÓN.

Para una operación estable y actualización periódica del sistema, LG recomienda firmemente al usuario que firme y mantenga la conexión con EnerVu.



ADVERTENCIA

Indicadores de una situación potencialmente peligrosa.

- Existe una alta posibilidad de descarga eléctrica o quemaduras graves debido al alto voltaje de los ESS.
- Alta tensión en los cables de CC. No cortocircuite los conductores positivo y negativo.
- Puede producirse una situación potencialmente peligrosa, como exceso de calor o dispersión de electrolitos, debido a condiciones de funcionamiento inadecuadas, daños o un uso o trato incorrecto del producto.
- Si no se leen, comprenden en su totalidad y siguen las precauciones adecuadas, este producto podría provocar situaciones de peligro, como la muerte o lesiones graves debido a un incendio, alto voltaje o explosión.
- No coloque ni instale objetos inflamables ni potencialmente explosivos cerca del producto ni en atmósferas explosivas.
- No coloque objetos de ningún tipo encima del producto durante su funcionamiento.
- Todas las labores de instalación de batería las deben realizar únicamente proveedores de servicios certificados por LG.
- Las instalaciones eléctricas deben realizarse de acuerdo con los estándares de seguridad eléctrica locales y nacionales.
- Utilice guantes de goma y ropa de protección (incluidas gafas y botas protectoras) al instalar el módulo de batería.
- Existe riesgo de descarga eléctrica. No desmonte el módulo de batería. No hay ninguna pieza en el interior que pueda reparar el usuario. Remita las reparaciones a un técnico de servicio cualificado y acreditado.
- No permita que la unidad se caiga, se deforme, sufra golpes o cortes, ni se rasguñe con un objeto punzante, ya que podría dar lugar a fugas de electrolito o incendios.
- Una avería de la unidad puede provocar una fuga de electrolito o la generación de gas inflamable.
- En caso de fuga de electrolito, evite el contacto con los ojos, la piel y la ropa. En caso de accidente, lave la zona afectada con abundante agua y solicite atención médica inmediatamente.
- No pise ni se sienta sobre el producto ni el paquete del producto. Podría provocar lesiones graves o daños en el producto.
- No fume ni aproxime llamas expuestas al producto.



PRECAUCIÓN

Hace referencia a una situación en la que podrían producirse daños o lesiones.

- Este producto está diseñado para ampliar un módulo de batería. No lo use con ningún fin que no sea ampliar la unidad de batería HBC.
- Podrían producirse lesiones graves debido al elevado peso del producto. Por lo tanto, debe tener especial cuidado al manipularlo. Asegúrese de contar con al menos dos personas para entregar y cargar el paquete.
- El producto no debe exponerse al agua (goteo o salpicaduras), y no se deben colocar objetos que contengan líquido, como jarrones, sobre él.
- Este producto debe eliminarse de acuerdo con la normativa local.
- No coloque objetos pesados sobre este producto. Puede provocar deformaciones o roturas.
- Asegúrese de que el interruptor de CC de la unidad de batería del ESS está desconectado antes de conectar la batería.
- No utilice materiales disolventes, abrasivos ni corrosivos para limpiar el producto.
- Mantenga el producto fuera del alcance de niños y animales.
- No debe haber objetos extraños que puedan dañar la parte inferior del producto.



NOTA

Indica que existe riesgo de que se produzca algún daño en el producto.

- No guarde ni coloque objetos encima del producto o apoyado sobre él. Podría provocar fallos de funcionamiento u otros problemas.
- Este módulo de expansión de batería está diseñado y puede instalarse exclusivamente en unidades de batería LG ESS (BUELO11HBC1). No conecte este módulo de batería de expansión a un dispositivo que genere tensión de CA, como un generador o una fuente de alimentación de CA. Conectar el producto a dispositivos externos puede generar daños graves en el equipo.
- La manipulación de las baterías debe realizarla o supervisarla un instalador cualificado o un técnico de servicio de LG.
- La batería no se descarga cuando la carga está por debajo de un nivel determinado.
- Para ver los documentos de ESS más recientes y la garantía limitada completa, visite: <https://www.lg.com/global/business/ess/business-resources/download>

Medidas de primeros auxilios

El producto incluye mecanismos de fallo internos diseñados para prevenir fallos y los consiguientes riesgos. Sin embargo, LG Electronics no puede garantizar la seguridad del producto si se expone a abusos, daños o negligencias.

Si una persona se ve expuesta a los materiales internos de la célula de batería debido a daños en la carcasa exterior, se recomienda tomar las siguientes medidas.

- En caso de inhalación: abandone inmediatamente la zona contaminada y solicite atención médica.
- En caso de contacto con los ojos: aclare los ojos con agua corriente durante 15 minutos y solicite atención médica.
- En caso de contacto con la piel: lave bien la zona de contacto con jabón y solicite atención médica.
- En caso de ingesta: induzca el vómito y solicite atención médica.

Medidas de lucha contra incendios

Medio de extinción adecuado

Use polvo para extinción de incendios o arena seca si solo hay unas celdas implicadas.

En caso de incendios grandes, use grandes cantidades de agua o un extintor de incendios de litio para extinguirlo.

Riesgos especiales derivados de los productos químicos

Se puede formar ácido hidrofúrico si los electrolitos entran en contacto con el agua.

En caso de incendios, no puede excluirse la formación de los siguientes gases con base de fluoruro: Fluoruro de hidrógeno (HF), monóxido de carbono y dióxido de carbono.

Equipo de protección y precauciones para los bomberos

Si las baterías tienen carga, apague el dispositivo.

Lleve aparato de respiración autónomo y un traje de protección.



ADVERTENCIA

La celda de la batería puede incendiarse si se calienta a más de 130 °C (266 °F). Si la batería se quema, se desprenderán gases venenosos. No se aproxime.

Manera eficaz de lidiar con los accidentes

- En tierra: coloque la batería dañada en un lugar apartado y llame a los bomberos o al servicio técnico local.
- En agua: manténgase fuera del agua y no toque el producto si hay sumergida alguna parte de la batería, el inversor o el cableado.
- No vuelva a usar la batería sumergida. Póngase en contacto con el servicio técnico para solicitar asistencia.

Índice

Inicio

Información de seguridad	2
Medidas de primeros auxilios	4
Características del producto	6
Desembalaje	7
Desembalar el módulo de batería de expansión	7
Contenido del producto	8
Nombre de cada componente	9

Instalación

Preparativos	10
Revise la unidad de batería	10
Cómo consultar los ciclos de carga y descarga	10
Configuración del Sistema de almacenamiento de energía	11
Instalación de un módulo de batería de expansión en la unidad de batería	14

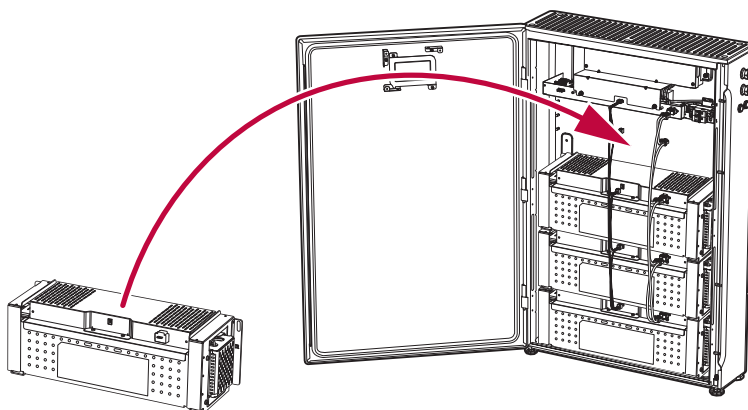
Apéndice

Mantenimiento	20
Realice inspecciones con frecuencia	20
Contacto	20
Eliminación del producto	21
Especificaciones	22

Características del producto

Este producto es un módulo de batería de expansión de iones de litio que se puede instalar junto a la unidad de batería del ESS existente. Antes de instalar este módulo de batería de expansión en la unidad de batería del ESS, asegúrese de que la unidad de batería ESS puede ampliarse.

Póngase en contacto con un distribuidor autorizado o con el vendedor al que compró el sistema para obtener información de si el módulo de batería de expansión se puede instalar o no.



Especificaciones del producto

Se ha verificado que todas las especificaciones y descripciones contenidas en este documento son exactas en el momento de su impresión. No obstante, dado que en LG Electronics aspiramos a mejorar de forma continua, nos reservamos el derecho a aplicar modificaciones al producto en cualquier momento.

Las imágenes proporcionadas en este documento son solo para fines de demostración. Dependiendo de la versión del producto y la región del mercado, puede haber detalles ligeramente diferentes.

©2023 LG Electronics Inc. Todos los derechos reservados.

Toda la información contenida en este documento está sujeta a los derechos de autor y otros derechos de propiedad intelectual de LG Electronics Inc. y sus licenciantes. Este material no se puede modificar, reproducir ni copiar, en su totalidad o en parte, sin la previa autorización por escrito de LG Electronics Inc. y sus licenciantes. Hay información adicional disponible previa solicitud. Las siguientes son marcas comerciales o marcas registradas de LG Electronics Inc. en Europa y otros países:

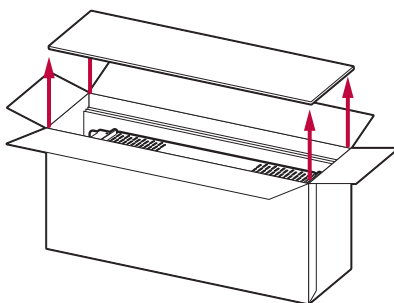


Desembalaje

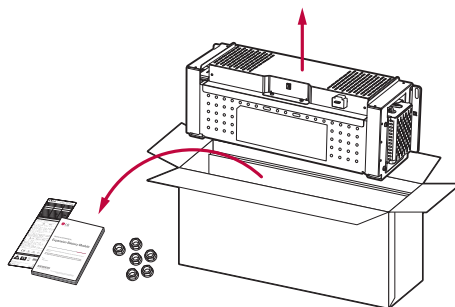
Desembalar el módulo de batería de expansión

Extraiga el módulo de batería de expansión del embalaje.

- 1 Quite la cinta de embalaje y abra la caja.



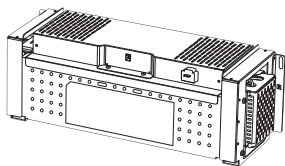
- 2 Extraiga todos los accesorios y componentes.



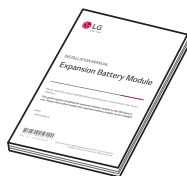
ADVERTENCIA

- Se necesitarán al menos 2 personas para trasladar e instalar la batería de forma segura.
- Se trata de un producto pesado. Utilice el equipo de protección personal adecuado (como guantes y calzado de protección) cuando manipule la unidad. Solo debe elevar el producto un número suficiente de personas cualificadas para ello.

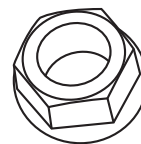
Contenido del producto



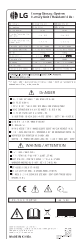
Módulo de batería de expansión



Manual de instalación



Tuercas (6 unidades)



Etiqueta Q

Herramientas necesarias



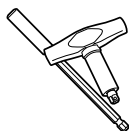
Guantes aislantes



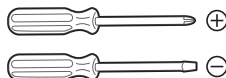
Gafas de seguridad



Calzado de protección



Portapuntas magnético de 200 mm y llave dinamométrica con mango en T y hueco hexagonal magnético (M5, M6, M8)

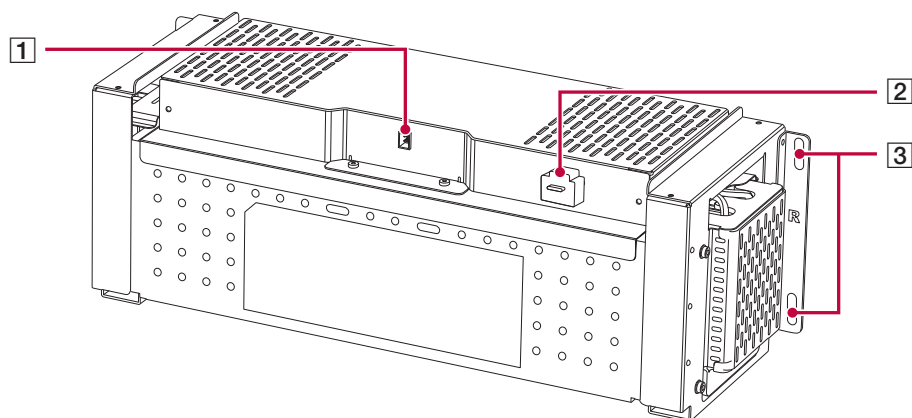


Destornillador Phillips (5 mm)
Destornillador de pala (6, 5, 4, 2 mm)



Voltímetro

Nombre de cada componente



- 1 Conector del cable de comunicaciones
- 2 Conector del cable de alimentación
- 3 Orificio de fijación de tuercas

Preparativos

Revise la unidad de batería

Para garantizar el rendimiento y la seguridad de la batería, la instalación del módulo de batería de expansión se puede realizar cuando se cumplen todas las condiciones siguientes.

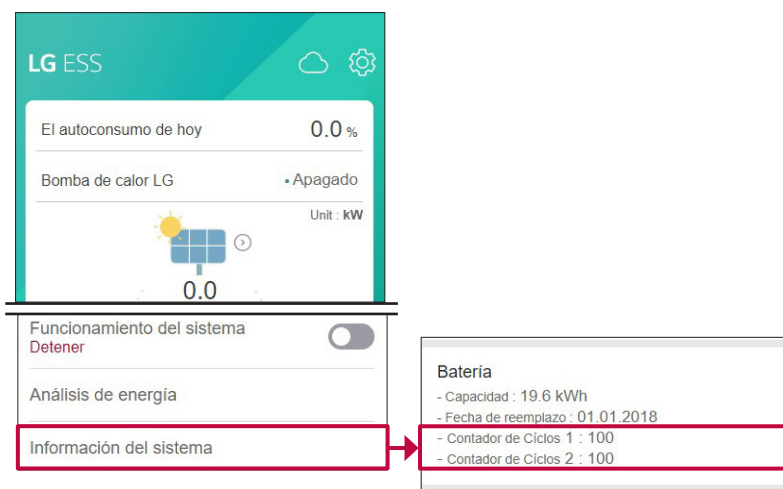
- La unidad de batería actual tiene 200 ciclos de carga y descarga.
- La fecha de instalación de la unidad de batería actual debe estar en un plazo de 18 meses.

NOTA

- Se recomienda ajustar el nivel de SOC de la batería que se está usando a aproximadamente un 30 % para conseguir una ampliación rápida.
- La adaptación del tiempo depende de la diferencia de tensión existente entre la batería que se está usando y la batería a la que se va a ampliar. Si la diferencia de tensión es grande, podría tardar hasta 3 horas.

Cómo consultar los ciclos de carga y descarga

Para consultar los ciclos de carga y descarga de la unidad de batería, el Sistema de almacenamiento de energía debe estar registrado en el sistema EnerVu. Compruebe el número de ciclos en la aplicación EnerVu de su dispositivo móvil, como se describe a continuación.

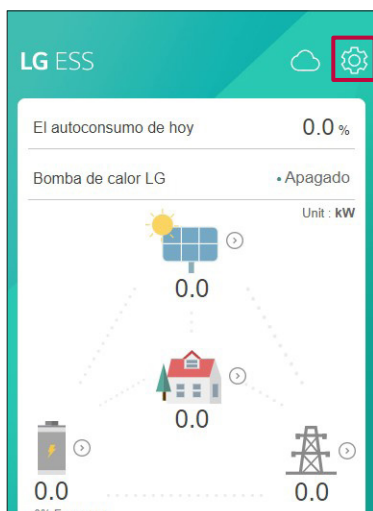


- 1 Abra la aplicación EnerVu+ en el dispositivo móvil.
- 2 Pulse [Información del sistema] y desplace la pantalla hasta la sección de la batería. Puede consultar los ciclos de carga y descarga de la unidad de batería en la opción [Contador de Ciclos].

Configuración del Sistema de almacenamiento de energía

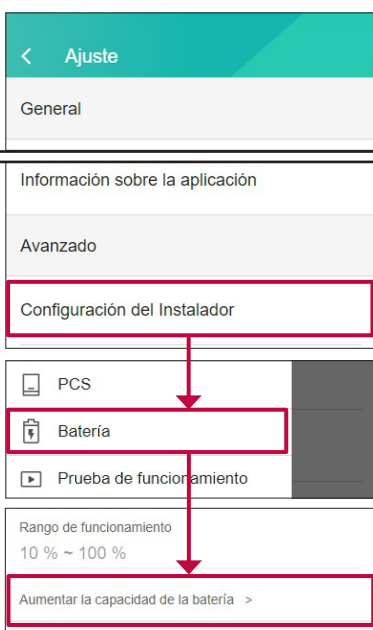
Si se cumplen todas las condiciones para instalar el módulo de batería de expansión, se debe detener el funcionamiento del Sistema de almacenamiento de energía y preparar ciertos ajustes para la expansión de la batería antes de la instalación.

1



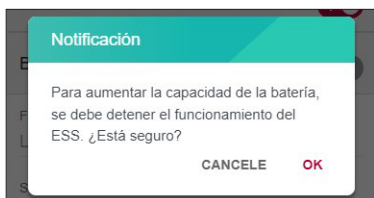
Abra la aplicación EnerVu+ en el dispositivo móvil y pulse [⚙️].

2



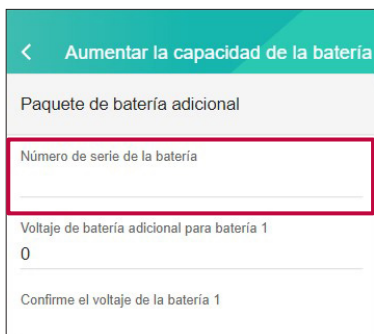
Pulse [Configuración del instalador] > [Batería] > [Aumentar la capacidad de la batería].

3



Aparecerá un mensaje emergente. Pulse [OK] para que el ESS deje de funcionar y continúe al paso siguiente.

4



En el campo [Número de serie de la batería], introduzca los 21 caracteres indicados en la etiqueta del QR y pulse [GUARDAR].

NOTA

Si hay dos unidades de batería en el Sistema de almacenamiento de energía, tendrá que introducir el número de serie de los dos módulos de batería adicionales correspondientes a las unidades de batería 1 y 2.

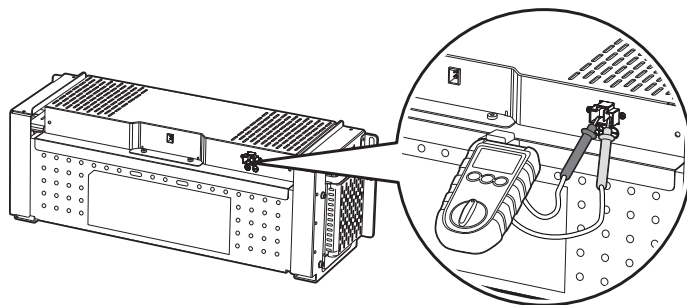
5



Mida la tensión del módulo de batería adicional, introduzca el valor en el campo [Voltaje de batería adicional para batería 1 o 2] y pulse [GUARDE].

NOTA

- Si hay dos unidades de batería en el Sistema de almacenamiento de energía, debe introducir la tensión de los dos módulos de batería adicionales de las unidades de batería 1 y 2.
- Introduzca la tensión del módulo de batería de expansión con un máximo de dos decimales.



6

Introduzca la tensión del módulo de batería adicional de nuevo en la opción [Confirme voltage de la batería 1 or 2] y pulse [GUARDE].

PRECAUCIÓN

Si la tensión se introduce de forma incorrecta, pueden producirse fallos y daños en la batería a casusa de la diferencia de tensión entre las celdas de la batería.

7

Pulse [Juego] para empezar a cargar o descargar el sistema automáticamente según la capacidad de batería que se va a ampliar.

NOTA

Aparece un mensaje de error si se produce un fallo en el proceso de adaptación. Si el proceso de adaptación falla, inténtelo de nuevo.

8

Una vez finalizada la adaptación, instale módulos de batería adicionales en la unidad que quiere ampliar y reinicie el sistema. Antes de volver a poner el sistema en marcha, ejecute [Prueba de funcionamiento] para comprobar el estado del sistema.

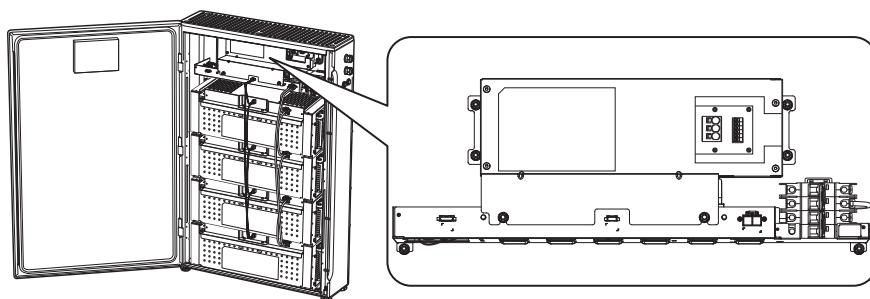
Instalación de un módulo de batería de expansión en la unidad de batería

Este producto requiere una conexión eléctrica con la unidad de batería del ESS.
Antes de conectar el módulo de batería de expansión a la unidad de batería del ESS, consulte el manual de instalación de la unidad de batería del ESS para obtener más información.

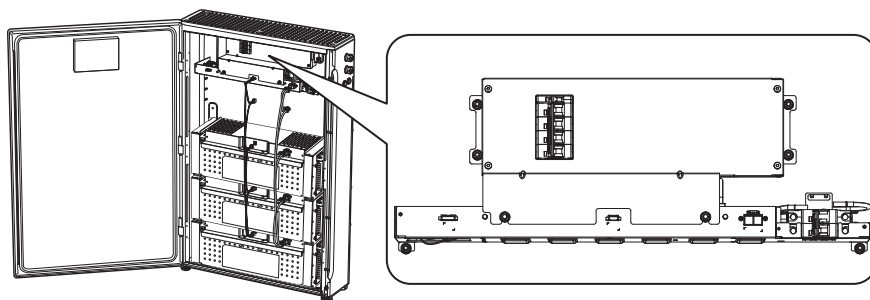
NOTA

Hay dos tipos de unidad de batería del ESS para instalar esta unidad de batería de expansión. Consulte las ilustraciones a continuación para comprobar las diferencias entre los tipos A y B.

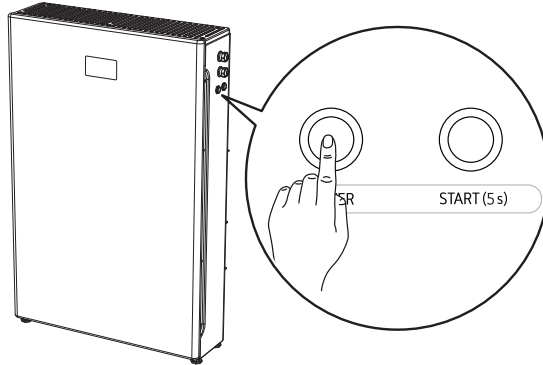
Tipo A



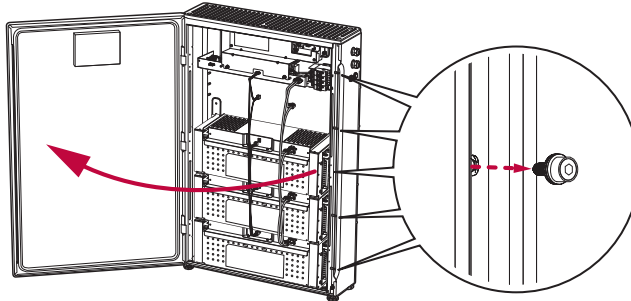
Tipo B



- 1 Pulse el botón ENCENDIDO para apagar la unidad de batería.
Si la pantalla LED está apagada, la unidad de batería está apagada.

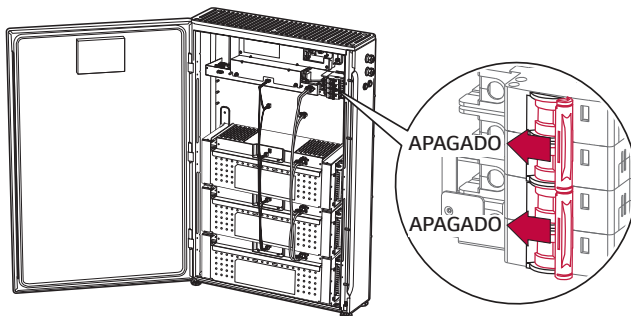


- 2 Quite los pernos del lateral derecho y abra la puerta delantera.



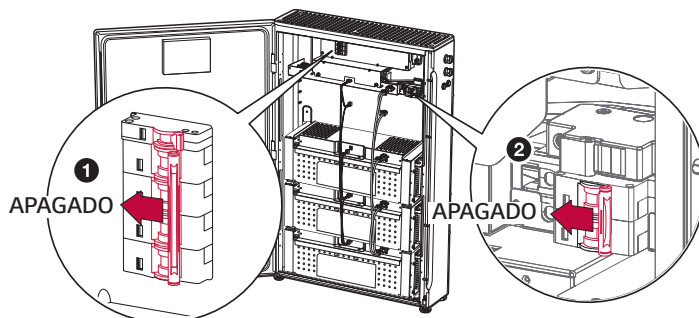
3 Tipo A

Coloque en la posición de apagado el disyuntor PCS y el disyuntor del circuito principal de la unidad de batería.

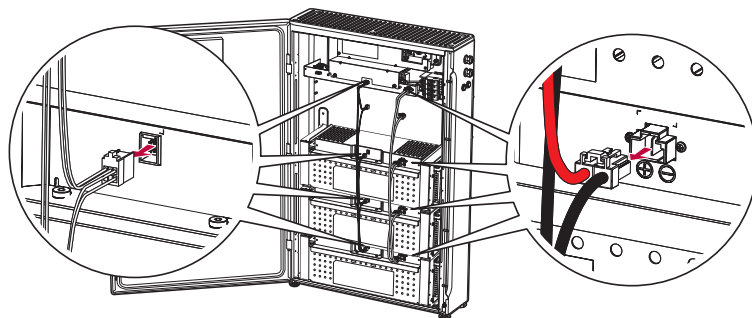


Tipo B

Coloque en la posición de apagado el disyuntor de circuito PCS y, a continuación, coloque en la posición de apagado el disyuntor del circuito principal.

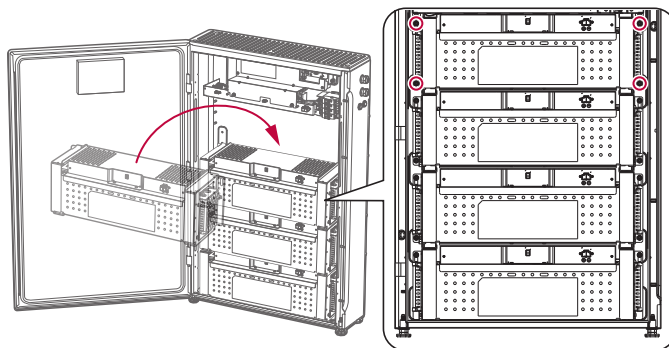


- 4 Desconecte el mazo de cables de alimentación y el mazo de cables de comunicación de la unidad de batería, como se muestra en la ilustración.

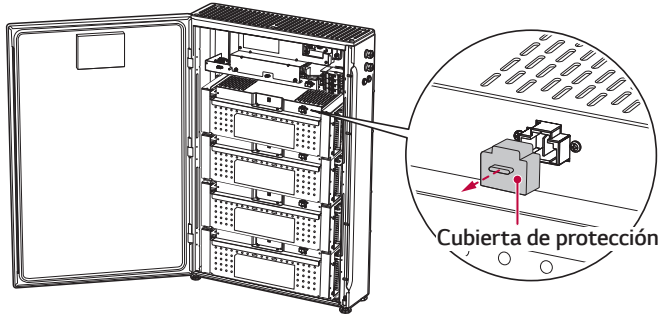


- 5 Coloque un módulo de batería en el interior del alojamiento y fije el módulo de batería con las tuercas incluidas (4 posiciones, 25 kgf.cm).

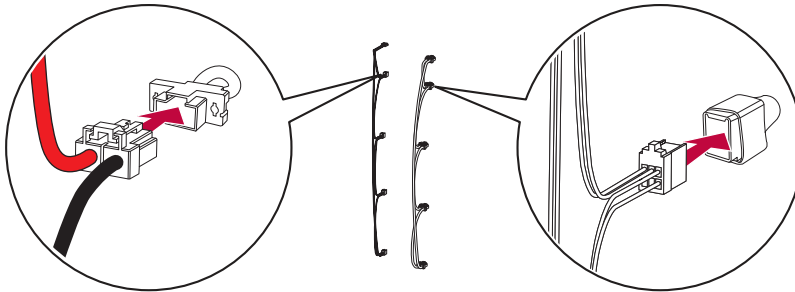
Las posiciones de montaje de las tuercas se indican en la ilustración.



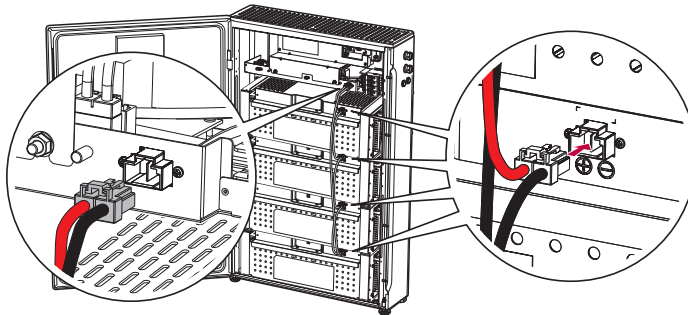
- 6** Quite la cubierta de protección del conector de alimentación del módulo de batería de expansión. No toque los terminales después de quitar la cubierta de protección.



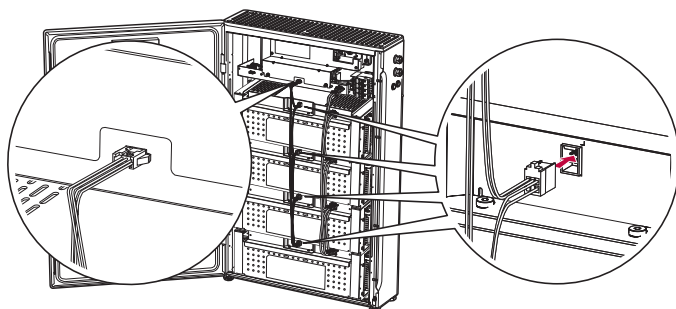
- 7** Desconecte los conectores cortos del mazo de cables de alimentación y del mazo de cables de comunicación, como se muestra en la ilustración.



- 8** Conecte el mazo de cables de alimentación como se muestra en la ilustración.

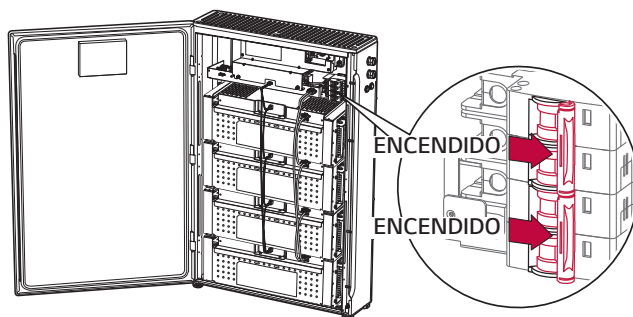


- 9 Conecte el mazo de cables de comunicación como se muestra en la ilustración.



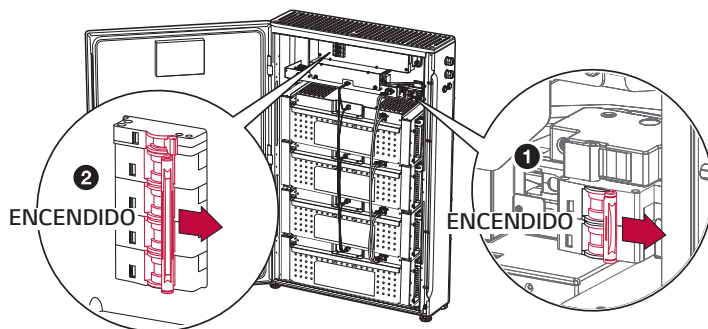
10 Tipo A

Coloque en la posición de encendido el disyuntor del PCS y el disyuntor del circuito principal de la unidad de batería.



Tipo B

Coloque el disyuntor del circuito principal en la posición de encendido y, a continuación, coloque el disyuntor del PCS en la posición de encendido.



Mantenimiento

Realice inspecciones con frecuencia

Se recomienda comprobar el estado de funcionamiento y de conexión una vez al año. Debe realizarlo un proveedor de servicios certificado por LG. Póngase en contacto con un distribuidor autorizado o con el vendedor al que compró el sistema.

Contacto

Si tiene problemas técnicos o preguntas, póngase en contacto con la empresa que llevó a cabo la instalación o LG Electronics.

1. Empresa de instalación

Dirección:

Tel:

2. Atención al cliente

LG Electronics ESS Service
E-Service Supro GmbH
Stolberger Straße 25
06493 Harzgerode

Tel.: Alemania: 0049 (0)39484/976 380
Austria: 0043 (0)720/11 66 01
Suiza: 0041 (0)44/505 11 42
Bélgica, Países Bajos, Luxemburgo:
0031 20/456 1660
Correo electrónico: lge@e-service48.de

3. Contacto de LG Electronics

LG Electronics Deutschland GmbH
Alfred-Herrhausen-Allee 3-5
65760 Eschborn
Tel: + 0049 18 06 807 020
Correo electrónico: b2b.service@lge.de

LG Electronics Benelux
Krijgsman 1, 1186 DM, Amstelveen,
Países Bajos
Tel: +0031 (0)20 456 3100
Correo electrónico: b2b.service@lge.de

Eliminación del producto

Cuando el producto alcance el final de su vida útil o no se pueda reparar una avería, elimínelo de acuerdo con la normativa de eliminación de residuos electrónicos de su zona. Solo el personal cualificado puede llevar a cabo la eliminación del producto. Póngase en contacto con su distribuidor autorizado o con el lugar donde adquirió el producto.



1. Este símbolo de papelera con ruedas tachada indica que los residuos de aparatos eléctricos y electrónicos (RAEE) deben eliminarse por separado y no junto al resto de residuos municipales.
2. Los productos eléctricos usados pueden contener sustancias peligrosas, por lo que al eliminarlos correctamente, ayudaremos a prevenir consecuencias negativas para el medio ambiente y la salud pública.

Su aparato usado puede contener piezas reutilizables que podrían usarse para reparar otros productos, así como otros materiales de valor que podrían reciclarse para conservar los recursos más escasos.

3. Puede llevar el aparato al establecimiento donde lo adquirió o ponerse en contacto con el departamento de gestión de residuos de su gobierno local para que le informen sobre el punto de recogida autorizado de residuos de aparatos eléctricos y electrónicos más cercano. Para obtener la información más actualizada de su país, consulte www.lg.com/global/recycling.

Eliminación de baterías y acumuladores usados

(SOLO productos con batería integrada)

Puede llevar el aparato al establecimiento donde lo adquirió o ponerse en contacto con el departamento de gestión de residuos de su gobierno local para que le informen sobre el punto de recogida autorizado de residuos de aparatos eléctricos y electrónicos más cercano. Tenga en cuenta que algunos distribuidores están obligados a lo siguiente:

- recoger los dispositivos antiguos de los usuarios finales después de venderles un dispositivo nuevo equivalente; y
- prestar un servicio gratuito de recogida de equipo eléctrico y electrónico de dimensiones muy reducidas (25 cm como máximo), sin que los usuarios finales estén obligados a adquirir equipo nuevo equivalente.

Cuando los distribuidores entregan equipo nuevo en residencias particulares, están obligados a recoger el equipo antiguo directamente o a proponer una solución de recogida a una distancia razonable. Por tanto, le recomendamos ponerse en contacto con su distribuidor para obtener más información.

LG Electronic Deutschland GmbH está debidamente registrada como empresa de producción en Alemania. Como tal, LG contribuye a la recogida y el reciclaje en todo el país de los RAEE que los usuarios llevan a las instalaciones municipales de recogida selectiva. Para obtener la información más actualizada, consulte www.lg.com/global/recycling o <https://www.lg.com/de/support/altgeraete-rueckgabe>

Especificaciones

Módulo de batería	Unidad	SPEC (BPEL04KAB-E)
Configuración de las células (p. ej., XSYP)		28S 9P
Tensión nominal	Vcc	101,64
Capacidad	Ah	36,90
Tensión de carga máxima	Vcc	114,77
Tensión final de descarga	Vcc	70,00
Corriente de carga máxima	A	18,27
Corriente de descarga máxima (a 5,0 kW)	A	19,80
Corriente de carga estándar	A	11,10
Corriente de descarga estándar	A	7,38
Tamaño de los módulos	mm	600,2 (altura) × 191,6 (profundidad) × 211,9 (altura)
Peso de los módulos	kg	26

Característica y función	SPEC
Garantía limitada ¹⁾	Consulte la garantía limitada en la URL (El periodo de garantía del módulo de batería de expansión está basado en el periodo de garantía de la unidad de batería antes de ampliarla.)

1) Visite: <https://www.lg.com/global/business/ess/business-resources/download>

- El diseño y las especificaciones están sujetos a cambios sin previo aviso.

Para garantizar el pleno rendimiento de la batería, se recomienda no superar los seis meses desde la fecha de fabricación hasta la fecha de puesta en marcha.



Póngase en contacto con la oficina para la conformidad de este producto: LG Electronics European Shared Service Center B. V Krijgsman 1, 1186 DM Amstelveen, Países Bajos
www.lg.com/global/business/ess



